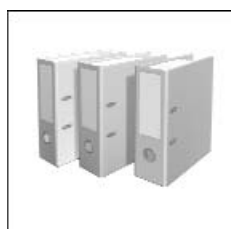
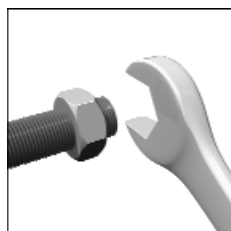


MULTIFLAM 200.1

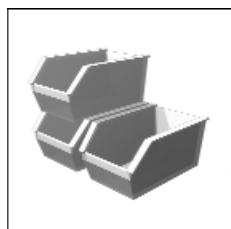
Technical data
Dati tecnici
Données techniques
Datos técnicos
Технические характеристики



Operating instructions
Istruzioni per l'uso
Notice d'emploi
Manual de uso
Руководство по эксплуатации



Electric diagrams
Schemi elettrico
Schémas électrique
Esquemas eléctrico
Электрические схемы



Spare parts list
Parti ricambi
Pièces de rechange
Piezas de recambio
Запчасти



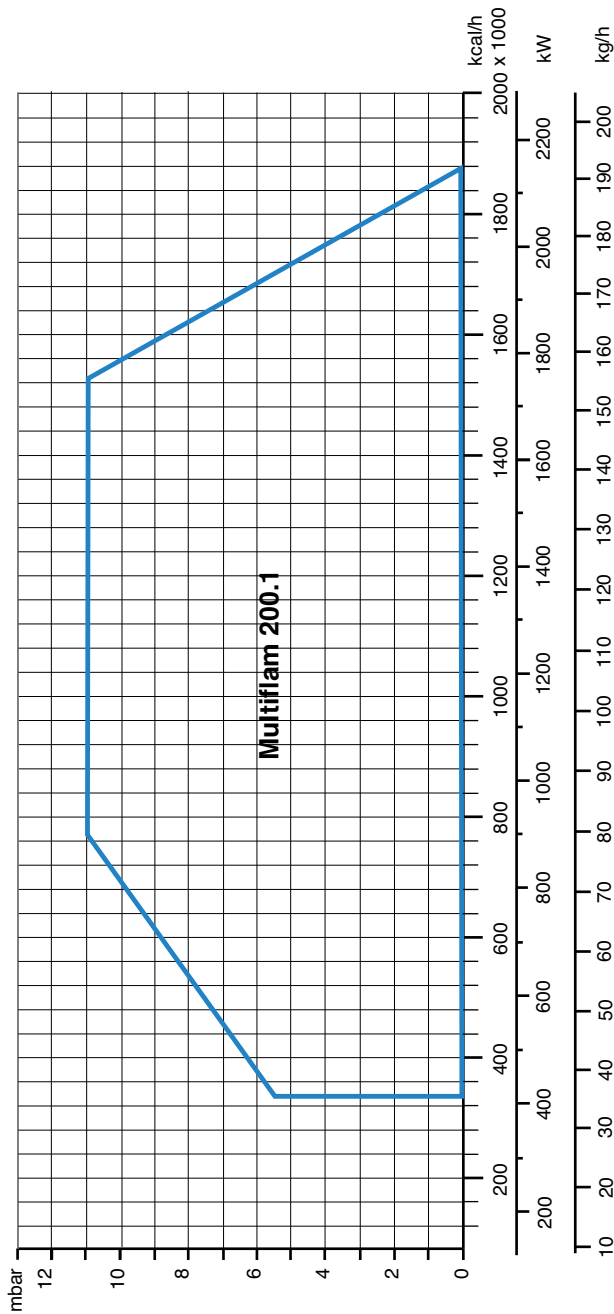
420010576400

MULTIFLAM D 200.1 PAB TC GN SR 400-50 3142669
MULTIFLAM D 200.1 PAB TL GN SR 400-50 3142670

Overview - Index of contents / Panoramica - Indice dei contenuti / Vue d'ensemble - Table des matières
Descripción - Sumario / Обзор - Содержание

<p>Technical data Dati tecnici Données techniques Datos técnicos Технические характеристики</p>	<p>EN IT FR ES RU</p>	<p>3</p>
<p>Working fields Campi di lavoro Domaine de fonctionnement Ámbito de funcionamiento Рабочий диапазон</p>	<p>EN IT FR ES RU</p>	<p>4</p>
<p>Dimensions Dimensioni Dimensions Dimensiones Размеры</p>	<p>EN IT FR ES RU</p>	<p>5</p>
<p>Operating instructions for authorised specialists</p>	<p>EN</p>	<p>6 - 19</p>
<p>Istruzione per l'uso per il personale qualificato</p>	<p>IT</p>	<p>20 - 33</p>
<p>Notice d'emploi pour l'installateur spécialiste</p>	<p>FR</p>	
<p>Instrucciones de montaje para el instalador especialista</p>	<p>ES</p>	<p>34 - 47</p>
<p>Инструкция по эксплуатации Предназначено для квалифицированных специалистов по установке</p>	<p>RU</p>	<p>48 - 61</p>
<p>Nozzles table Tabella ugelli Tabla inyectores Размеры форсунок для мазута</p>	<p>EN IT FR ES RU</p>	<p>62</p>
<p>Electric diagrams Schemi elettrico Schémas électrique Esquemas eléctrico Электрические схемы</p>	<p>EN IT FR ES RU</p>	<p>63 - 64</p>
<p>Spare parts list Parti di ricambio Pièces de rechange Piezas de recambio Запчасти</p>	<p>EN IT FR ES RU</p>	<p>65 - 67</p>
<p>Conformity declaration Dichiarazione di conformità Déclaration de conformite Declaración de conformidad Сертификат соответствия</p>	<p>EN IT FR ES RU</p>	<p>68</p>

Technical data - Dati tecnici - Données techniques - Datos técnicos - Технические характеристики		MULTIFLAM 200.1	
Burner output max/min kW - kcal/h	Potenza bruciatore max/min kW - kcal/h	Puissance du brûleur max/min kW - kcal/h	Potencia del quemador máx/min kW - kcal/h
			2150
			414
Operation	Funzionamento	Fonctionnement	Modificación
			2
Regulating ratio	Rapporto di regolazione	Rapport de régulation	Relación de regulación
			1:1 GAS / 1:1 HEAVY OIL
Fuel	Combustibile	Fuel	Combustible
			G20 (L.C.V. 8.570 kcal/Nm ³), G25 (L.C.V. 7.370 kcal/Nm ³) G31 (L.C.V. 22.260 kcal/Nm ³), G30 (L.C.V. 29.320 kcal/Nm ³) Heavy oil (L.C.V. 9.800 kcal/kg max visc. 50°E at 50°C)
Emission class	Classe di emissione	Classe d'émission	Tipo de emisión
			Standard Class 2 GAS EN676 (<120 mg/kWh)
Control box	Apparecchiatura di controllo	Coffret de sécurité	Cajetín de seguridad
			SIEMENS LME 22
Gas train	Rampa gas	Rampe gaz	Rampa de gas
			GAS TRAIN TABLE - DIFFERENT MODELS / CONFIGURATIONS
Gas connection	Allacciamento gas	Raccordement gaz	Conexión de gas
			Rp 20 3/4" - Rp 25 1" - Rp 32 1/4" - Rp 40 1 1/2" - Rp 50 2"
Gas input pressure	Pressione di ingresso gas	Pression d'entrée du gaz	Presión de entrada del gas
			SEE GAS TRAIN MATCHING TABLE
Air regulation Air flap	Regolazione aria Serranda dell'aria	Réglage de l'air Volet d'air	Ajuste del aire Válvula de aire
			1
Flame monitor	Rivelatore di fiamma	Surveillance de flamme	Vigilancia de llama
			UV cell QRA
Ignition transformer d'accensione	Trasformatore d'accensione	Allumeur	Encendedor
			cofi
Electric motor rpm - watt	Motore elettrico giri motore - watt	Moteur rpm - watt	Motor rpm - watt
			2800 rpm
			4000 W
Voltage	Tensione	Tension	Tensión
			230-400 V / 50 Hz
Power consumption (operation)	Potenza elettrica assorbita (Esercizio)	Puissance électrique absorbée (en service)	Potencia eléctrica absorbida (en funcionamiento)
			16,5 kW
Weight	Peso	Poids	Peso
			220 kg
Protection level	Classe di protezione	Indice de protection	Índice de protección
			IP55 (front panel)
Sound pressure level dB(A)	Livello pressione sonora dB(A)	Niveau pression acoustique dB(A)	Nivel de presión acústico dB(A)
			Uровень шума, dB(A)
Ambient temp. for storage	Temperatura ambiente di stoccaggio	Température ambiante de stockage	Temperatura ambiente de almacenamiento
			-20°...+70° C
Temperature for use	Temperatura d'utilizzazione	Température d'utilisation	Temperatura ambiente de utilización
			-10°...+60° C



Working field

The working field shows burner output as a function of combustion chamber pressure. It corresponds to the maximum values specified by EN 267 measured at the test fire tube. **The efficiency rating of the boiler should be taken into account when selecting a burner.**

Calculation of burner output:

$$QF = \frac{Q_N}{\eta_K}$$

QF = Burner output (kW)
QN = Rated boiler output (kW)
 η_K = Boiler efficiency (%)

Calcolo della potenza del bruciatore:

$$QF = \frac{Q_N}{\eta_K}$$

QF= potenza bruciata (kW)
QN= potenza nominale della caldaia (kW)
 η_K = rendimento energetico della caldaia (%)

Curva

Il campo di attività indica la potenza del bruciatore in funzione della pressione della camera di combustione. Corrisponde ai valori massimi previsti dalla norma EN 267 misurati sul tubo della fiamma di controllo. **In occasione della scelta del bruciatore si deve tenere conto del rendimento energetico della caldaia.**

Calcul de la puissance calorifique:

$$QF = \frac{Q_N}{\eta_K}$$

QF= Puissance calorifique (kW)
QN= Puissance nominale chaudière (kW)
 η_K = Rendement chaudière (%)

Domaine de fonctionnement

Le domaine de fonctionnement correspond aux valeurs enregistrées lors de l'homologation. Elle correspond aux valeurs max mesurées sur tunnel d'essai d'après l'EN 267. **Pour le choix du brûleur, tenir compte du rendement de la chaudière.**

Calculo de la potencia calorífica:

$$QF = \frac{Q_N}{\eta_K}$$

QF = Potencia calorífica (kW)
QN = Potencia nominal de la caldera (kW)
 η_K = Rendimiento de la caldera (%)

Àmbito de funcionamiento

El àmbito de funcionamiento corresponde a los valores registrados en el momento de la homologación. Corresponde a los valores máx medidos en el túnel de ensayo según la EN 267. **Para la elección del quemador, se ha de tener en cuenta el rendimiento de la caldera.**

Cálculo de la potencia calorífica:

$$QF = \frac{Q_N}{\eta_K}$$

QF = Téplowa мощность, кВт
QN= Номинальная мощность котла, кВт
 η_K = КПД котла, %

Рабочий диапазон

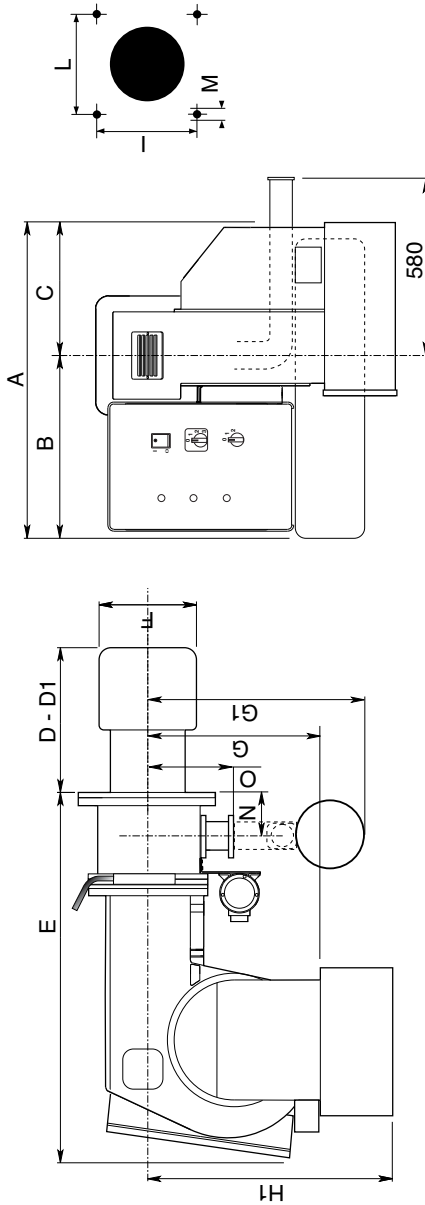
Рабочий диапазон показывает производительность горелки в зависимости от давления в топочной камере. Он соответствует максимальным значениям измеренным в контрольной топочной камере. **При выборе горелки необходимо учитывать КПД котла.**

Расчет тепловой мощности:

$$QF = \frac{Q_N}{\eta_K}$$

QF = Тепловая мощность, кВт
QN= Номинальная мощность котла, кВт
 η_K = КПД котла, %

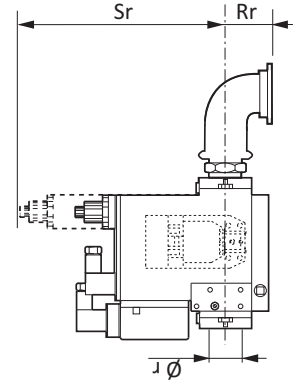
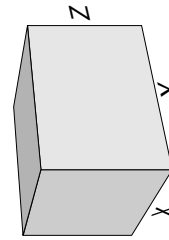
Overview - Dimensions / Panoramica - Dimensioni / Vue d'ensemble - Dimensions / Descripción - Dimensiones / Обзор - Размеры



Model	A	B	C	D	D - D1	E	F	G	G	H1	I	L	M	N	O
MULTIFLAM 200.1 AB	848	530	318	285	485	1150	270	398	600	680	315	315	M14	125	250

Packaging

Model	X	Y	Z	kg
MULTIFLAM 200.1 AB	1580	1620	1090	250



GAS TRAIN DIMENSIONS:
refer to GT manual

Contents - Index - General warnings

Overview	Technical data	3
	Working fields	4
	Dimensions	5
Contents	Index	6
	General warnings	6
	Burner description	7
Function	General safety functions	8
	Control and safety unit SIEMENS	9
	Oil burner pump	10
Installation	Heavy oil feeding and suction line	11
	Burner assembly	12
	Pilot gas - Control panel	13
	Electrical connection - Checks before commissioning	14
Start up	Adjustment of pump pressure	15
	Adjusting burner output	16
	Air pressure switch adjustment - setting gas pressostat	17
Service	Maintenance	18
	Troubleshooting	19
Overview	Nozzle tables	62
	Electrical diagrams	63-64
	Spare parts list	65-67
Contents	Conformity declaration	68

Important notes

MULTIFLAM burners are designed for the low-pollutant combustion of natural gas and heavy oil. The design and function of the burners comply with standard EN676 and EN267. Assembly and commissioning must be carried out only by authorised specialists and all applicable guidelines and directives must be observed.

Burner description

MULTIFLAM are two-stage, fully automatic, monoblock type burners. The special design of the burner head provides low-polluting combustion with high efficiency. In line with testing as defined by EN676, the values comply with emissions class 2 (NO_x<120mg/kWh) Emissions values may differ, depending on combustion chamber dimensions, combustion chamber load and the firing system (three-pass boilers, boilers with reverse firing). They are suitable for use with all heat generators complying with EN 303 or for use with hot air generators complying with DIN 4794, and DIN 30697 within their respective performance range. Use for any other application requires the approval of Ecoflam.

The following standards should be observed in order to ensure safe, environmentally sound and energy-efficient operation:

EN 267

Automatic forced draught burners for liquid fuels.

EN 676

Forced-draught gas burners

EN 226

Connection of fuel oil and forced-draught gas burners to a heat generator.

EN 60335-1, -2-102

Specification for safety of household and similar electrical appliances, particular requirements for gas burning appliances.

Installation location

The burner must not be operated in rooms containing aggressive vapours (e.g. spray, perchloroethylene, hydrocarbon tetrachloride, solvent, etc.) or tending to heavy dust formation or high air humidity. Adequate ventilation must be provided at the place of installation of the furnace system to ensure a reliable supply with combustion air.

Variations may arise as a result of local regulations.

We can accept no warranty liability whatsoever for loss, damage or injury caused by any of the following:

- Inappropriate use.
- Incorrect assembly or repair by the customer or any third party, including the fitting of non-original parts.

Provision of the system and the operating instructions

The firing system manufacturer must supply the operator of the system with operating and maintenance instructions on or before final delivery. These instructions should be displayed in a prominent location at the point of installation of the heat generator, and should include the address and telephone number of the nearest customer service centre.

Notes for the operator

The system should be inspected by a specialist at least once a year. It is advisable to take out a maintenance contract to guarantee regular servicing.

Ecoflam burners have been designed and built in compliance with all current regulations and directives.

All burners comply to the safety and energy saving operation regulations within the standard of their respective performance range. The quality is guaranteed by a quality and management system certified in accordance with ISO 9001:2008.



Contents - Burner description

MULTIFLAM 200.1 PAB TC SGT 230-400-50

RANGE NAME BY FUEL TYPE

MULTIFLAM Dual fuel (Gas / Heavy oil)

MODEL SIZE (Gas: kW; Oil: kg/h)

MULTIFLAM 200.1 189 kg/h - 2150 kW

EMISSIONS

- Standard Class 2 - GAS EN676 (<120 mg/kWh)

OPERATION TYPE

PAB 2 stages
PR 2 stages progressive mechanical gas / oil
MD 2 stages modulating mechanical with PID

HEAD TYPE

TC Short head
TL Long head

FUEL

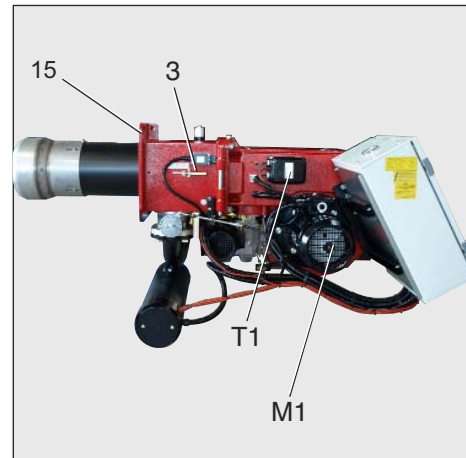
Natural gas
LPG Liquid gas
BIOGAS Biogas

EQUIPMENT

SGT Separate gas train

ELECTRICAL POWER SUPPLY

230-400-50 230-400 Volt, 50 Hz



- A1 SIEMENS control unit
- F6 Air pressure switch
- M1 Electric motor
- T1 Ignition transformer
- Y10 Servomotor
- 3 Air regulation in the burner head
- 5 Housing
- 8 Blast tube
- 15 Burner flange
- 16 Reset key
- 113 Air intake

Scope of delivery

The burner is delivered in a modular system of packagings i.e. separate set/box:

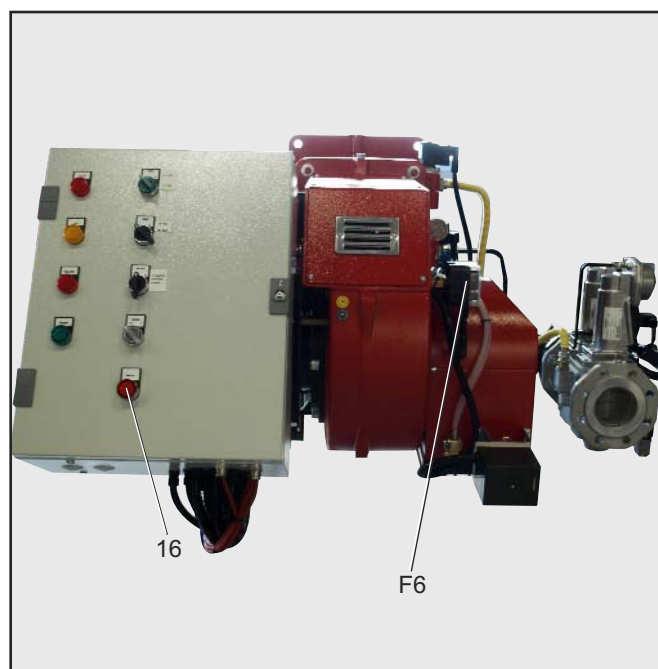
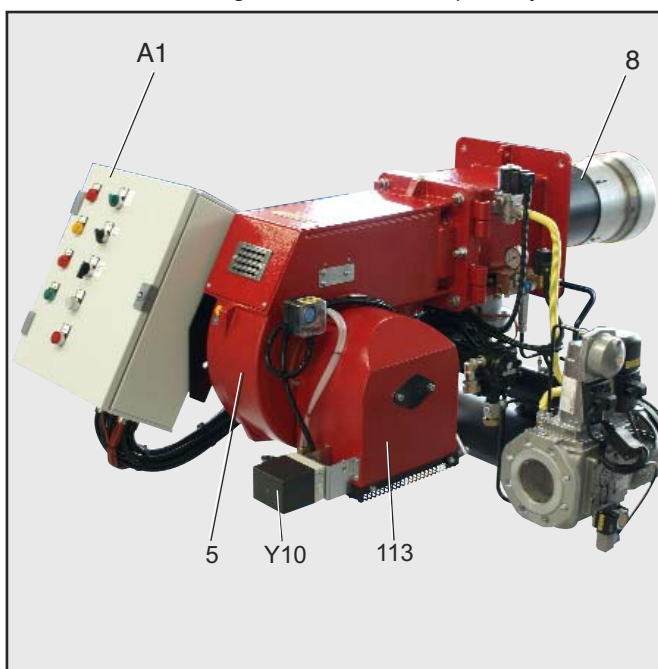
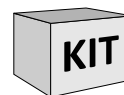
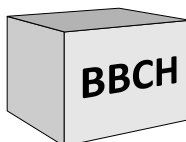
BBCH: Burner Body with Combustion Head with flange.

- 1 bag including :- multilanguage technical manual.
- spanner.
- screws, nuts and washer.

GT: separate Gas Train

KIT & ACS are managed and delivered separately

KIT & ACS delivered separately



Function - General safety functions

Description of functions

When the system is switched on for the first time, after a power failure or safety shutdown, after a lack of gas or after the system has been out of operation for 24 hours, the pre-ventilation period of 30 seconds begins.

During pre-purge period:

- blower pressure is monitored
- the combustion chamber is monitored for flame signals.

At the end of the pre-purge period:

- ignition is switched on.
- main and safety valve are opened.
- burner starts.

Monitoring

The flame is monitored by an UV Cell. The burner switches to lock-out if it doesn't survey the light of the flame.

Safety functions

- If no flame is produced when the burner is started (gas release), the burner will be switched off at the end of the safety period, lasting no more than 3 seconds, and the gas valve will close.
- If the flame goes out during operation, the gas supply is interrupted within one second. A restart takes place. Once the burner starts, operation is continued. Otherwise, a safety lock-out occurs.
- If there is a lack of air during reventilation or operation, a safety lock-out occurs.
- If there is a lack of gas, the burner does

not begin operation or switches off.

In the event of controller shutdown

- Controller thermostat interrupts heat request.
- Gas solenoid valves close.
- Flame goes out.
- Burner motor switches off.
- Burner is ready for operation.

Operating mode

After the flame has developed the load regulator will be enabled which brings the burner into its operating position.

The load regulator will now control the burner automatically between its partial-load and full-load stages.

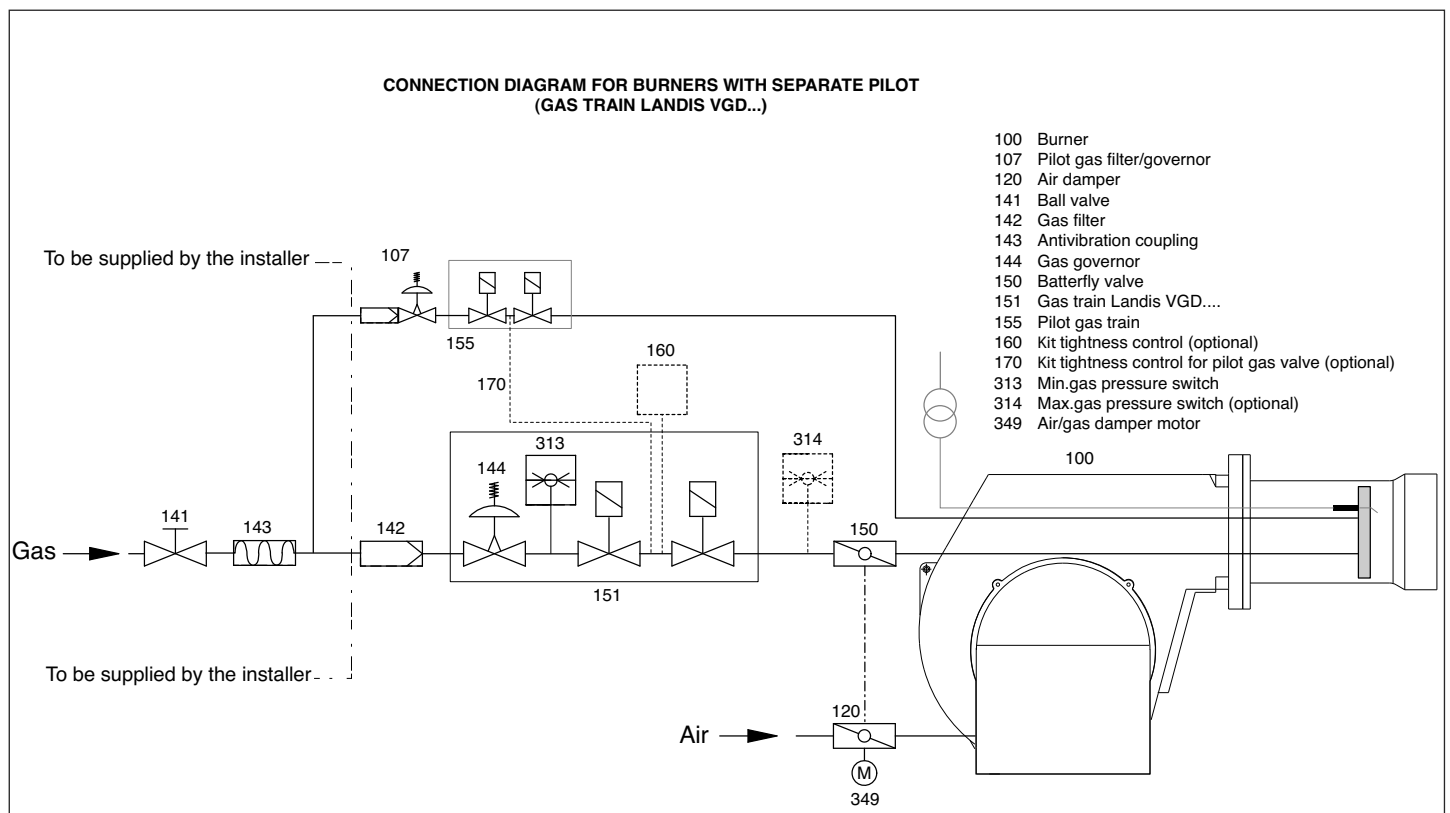
Depending on the heat demand, the electric actuator of the mechanical compound control system will be fed with the OPEN or CLOSE signal via the regulator and thus increase or decrease the oil and air flow rates.

This compound control system will vary the positions of the oil (gas) control valve and air damper and thus regulate the oil flow rate in conjunction with the air flow rate. The burner can either be controlled in two-stage sliding mode or, if a respective controller is provided, in stepless control mode.

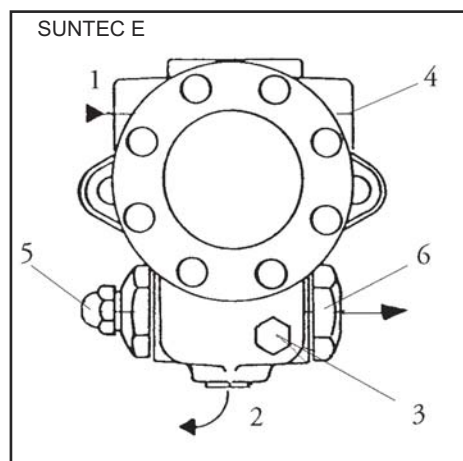
The stepless control will allow the burner to be operated at any desired stage between its partial-load and full-load

positions. The burner will be turned off from its partial-load position. The air damper will be closed when the burner is out of operation and will thus prevent cold air flowing through the burner chamber, heat exchanger and chimney.

The interior cooling losses will be greatly minimized.



Function - Oil burner pump



- 1 suction intake connection.
- 2 return connection.
- 3 oil pressure gauge connection.
- 4 negative pressure gauge connection.
- 5 oil pressure regulator
- 6 pressure connection

The heavy oil burner pump used is a self-priming gear pump, which must be connected as two-line pump via a bleed filter. There is an intake filter and an oil pressure regulator integrated in the pump. Pressure gauges for pressure measurements and negative pressure measurements must be connected before the equipment is commissioned.

NB: before starting the burner, check that the return pipe is open. An eventual obstruction could damage the pump sealing device.

TECHNICAL DATA

General

Mounting	Flange mounting according to EN 225.
Connection threads	Cylindrical according to ISO 228/1
Inlet and return	G 1/2"
Nozzle outlet	G 1/4"
Pressure gauge port	G 1/8"
Vacuum gauge port	G 1/2"
Valve function	Pressure regulating - no cut-off
Filter	Open area: 45 cm Opening size : 550 µm
Shaft	Ø 11mm according to EN 225.
By-pass plug	Inserted in return port for 2 pipe system; to be removed with a 3/16" Allen key for 1 pipe system.
Weight	4 kg

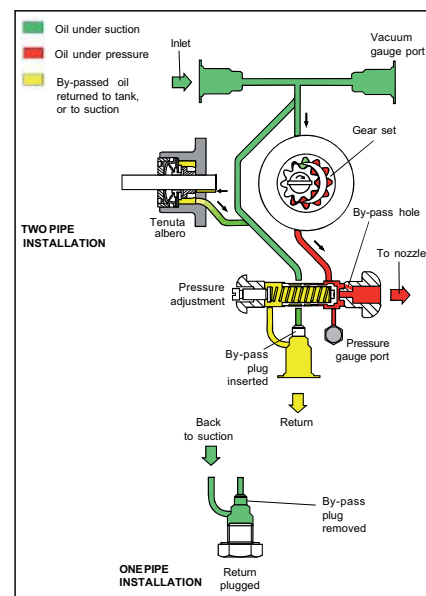
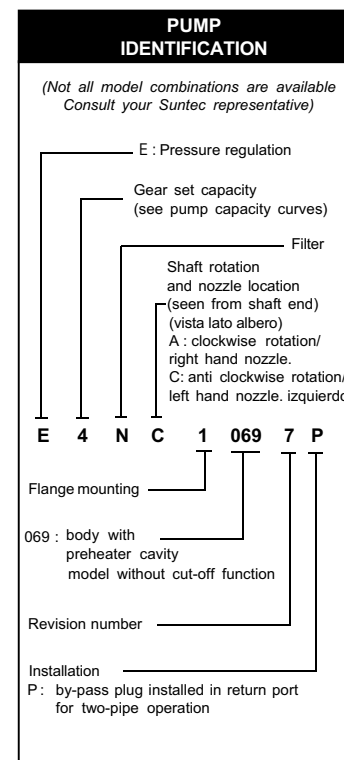
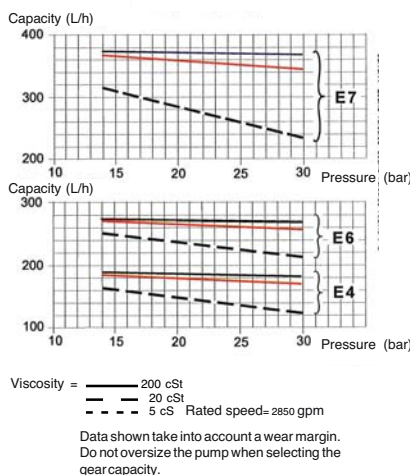
Hydraulic data

Nozzle pressure range	14 - 30 bar
Delivery pressure setting	20 bar
Operating viscosity	3 - 75 cSt
Oil temperature	0 - 130°C max. nella pompa
Inlet pressure	installation to light oil : 0,45 bars max. vacuum to prevent air separation from oil. installation to heavy oil : 3,5 bar max.
Return pressure	installation to light oil : 3,5 bar max. installation to heavy oil : 3,5 bar max.
Rated speed	3600 gpm max.
Torque (to 40 gpm)	0,3N.m

Choice of heater

Crtridge	Ø 12 mm
Fitting	in accordo con EN 50262
Rating	50-80 W

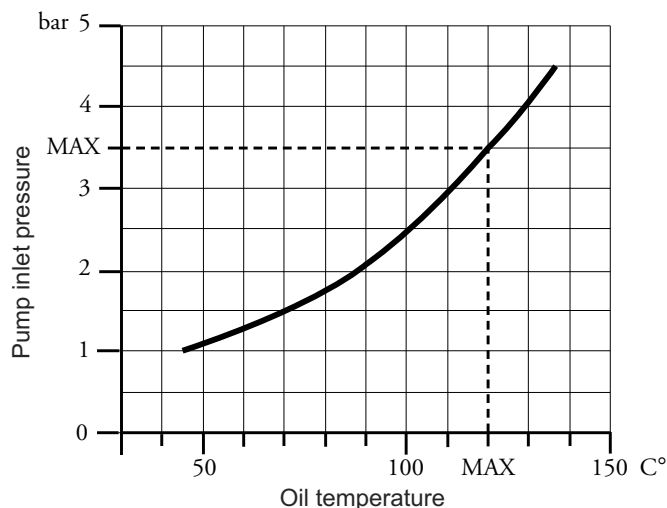
Pump capacity



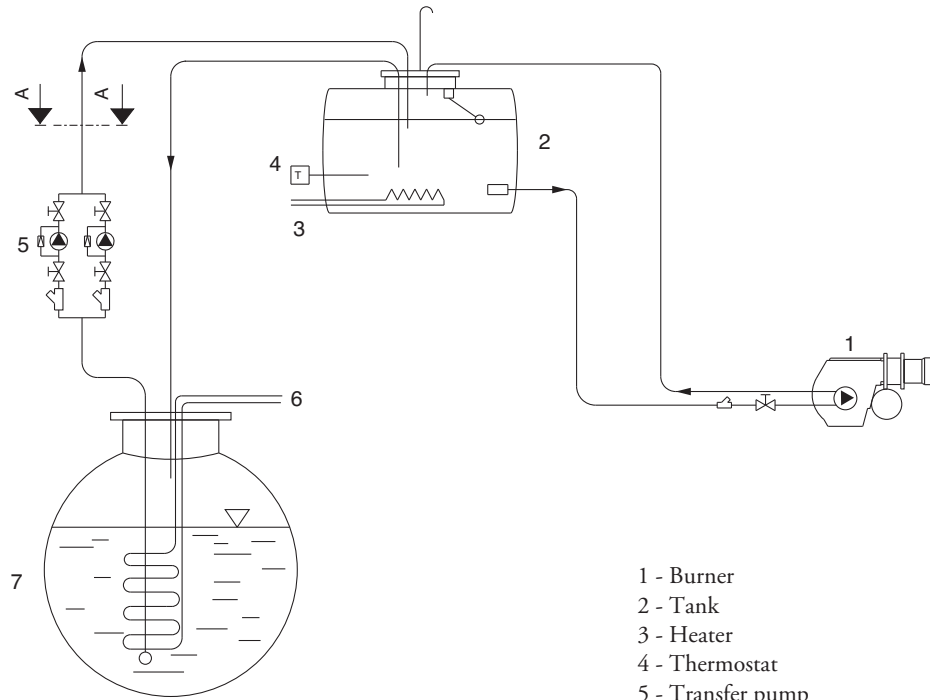
Pump's pressure / Oil temperature

diagram

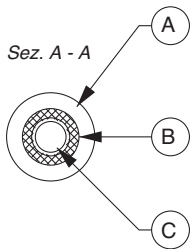
The gasification of volatile fractions in pre-heated heavy oil seems to be the main cause of premature fuel pump wear. To avoid such a problem, adjust pump pressure according to the diagram hereinafter.



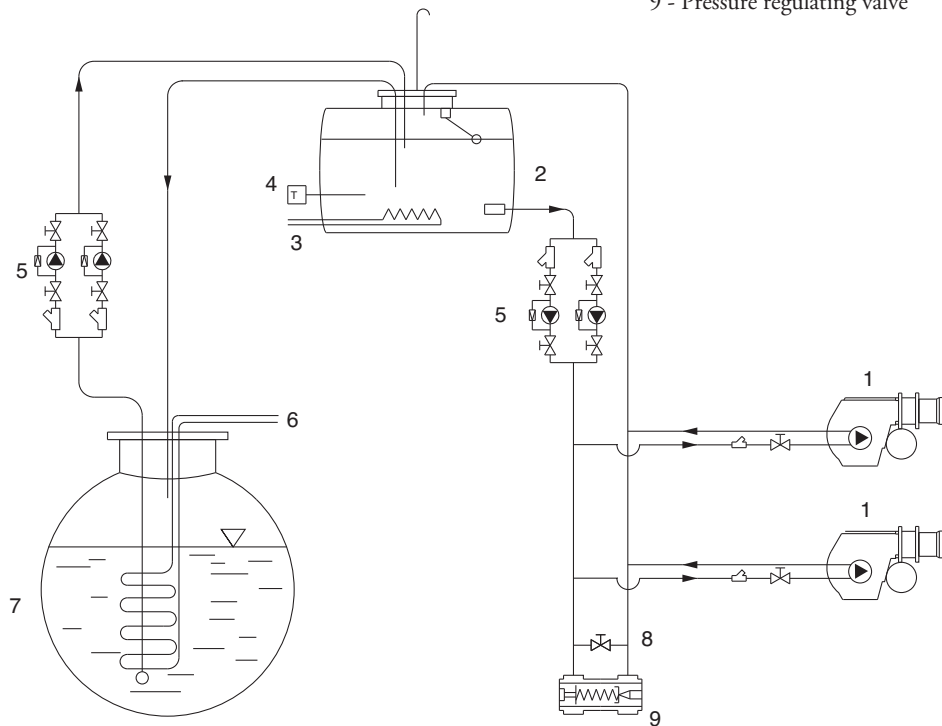
Installation - Heavy oil feeding and suction line



- 1 - Burner
- 2 - Tank
- 3 - Heater
- 4 - Thermostat
- 5 - Transfer pump
- 6 - Header
- 7 - Tank
- 8 - By-pass
- 9 - Pressure regulating valve

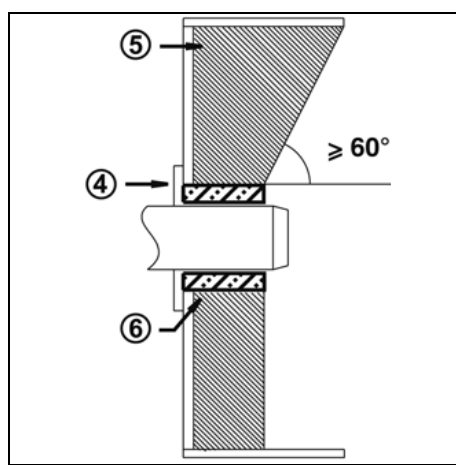
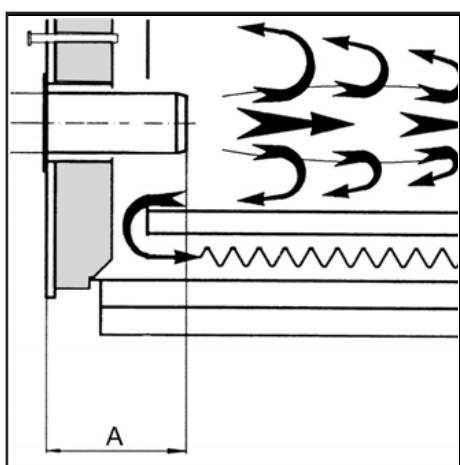
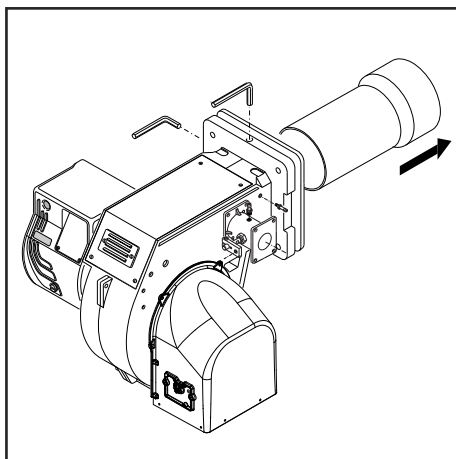
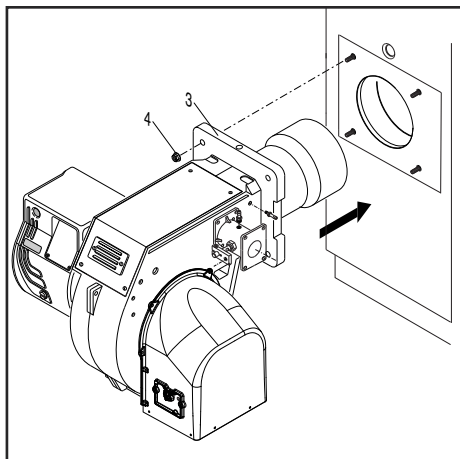


- A - Isolation gasket
- B - Heater
- C - Pipe heavy oil



IMPORTANT: All fuel pipings are heated (see section A-A of the picture)

Installation - Burner assembly



Burner assembly

The burner is fixed to the boiler.

Installation:

- fix the flange 3 to the boiler with the screws 4

Removal:

- loosen the screws and remove the burner.

Burner blast tube insertion depth and brickwork

Unless otherwise specified by the boiler manufacturer, heat generators without a cooled front wall require brickwork or insulation 5 as shown in the illustration. The brickwork must not protrude beyond the leading edge of the blast tube, and should have a minimum conical angle of 60°. Gap 6 must be filled with an elastic, non-combustible insulation material. For boilers with reverse firing, the minimum burner tube insertion depth A as specified in the boiler manufacturer's instructions must be observed.

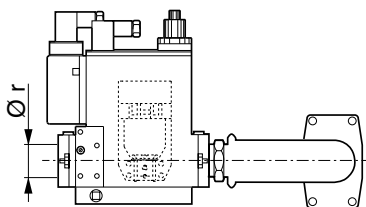
Exhaust system

To avoid unfavourable noise emissions, right-angled connectors should not be used on the flue gas side of the boiler.

Gas lines

When installing the gas lines and gas train, the general EN676 directives and guidelines must be observed.

EN676 compulsory kit and accessories in order to comply to the safety regulations. Additional accessories and kits shall be installed by the installer in accordance to the local safety regulations and codes of practise.



General regulations applying to the gas connection

- The gas train must only be connected to the gas mains by a recognised specialist.
- The cross-section of the gas line should be of a size designed to guarantee that the gas flow pressure does not drop below the specified level.
- A manual shut-off valve (not supplied) must be fitted upstream of the gas train.

Oil connection

The filter must be located in such a way that the correct hose routing cannot be impaired. The hoses must not kink.

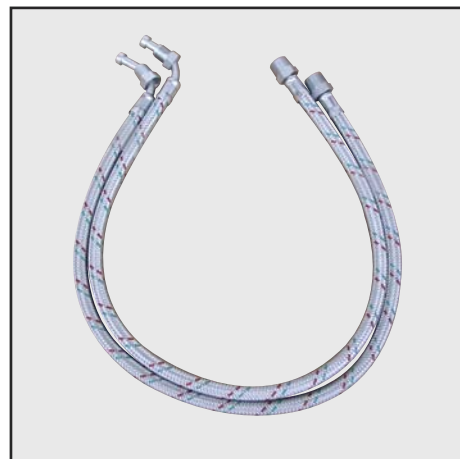
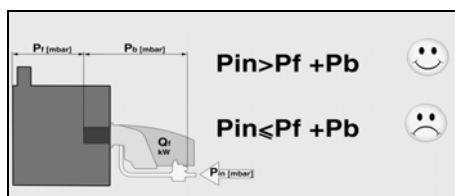


LEGENDA

Pf: Back pressure of furnace

Pb: Pressure of burner (combustion head + complete gas train)

Pin: Minimum inlet pressure



Installation - Pilot gas - Control panel

PILOT GAS TRAIN CONNECTION

The pilot gas train is already installed to the burner and shall be connected to the main gas supply line preferably with flexible pipe.

The pilot gas train is composed of n° 2 safety valves and n°1 gas governor and filter. Max inlet pressure 1 bar.

WARNING: Pilot gas train must be connected according to the drawing of the gas line.

GAS VALVES ADJUSTMENT

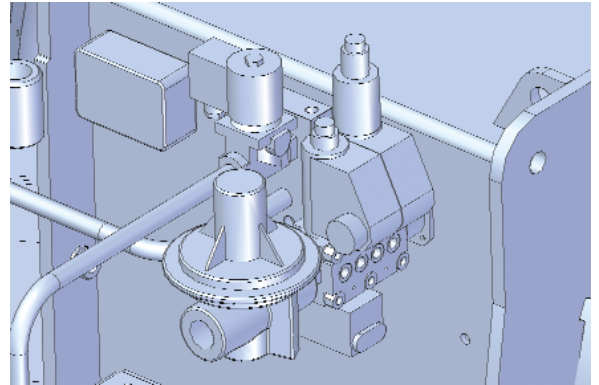
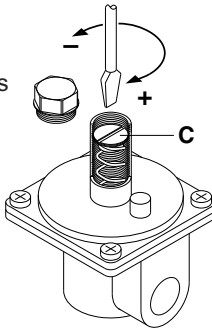
Note : the pilot valves are pre-adjusted in the factory. To increase or reduce the gas flow act on the gas governor.

GAS GOVERNOR ADJUSTMENT

The gas governor, with built-in filter, must be installed so as to stabilise the outlet gas pressure and to avoid that eventual impurities reach the gas valve. To increase gas pressure, remove the cover of governor and turn screw C.

Unscrew screw C to reduce pressure, then fit the cover.

Note: the inlet gas pressure must not be higher than the specified max. gas pressure.



KITTC- Tightness control

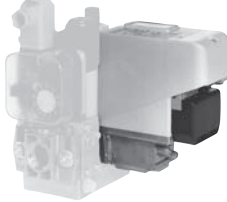

Tightness control is provided as a kit and shall be assembled into the main gas train according to the instructions of the gas train separate manual.

KITPRES... Maximum pressure switch assembly

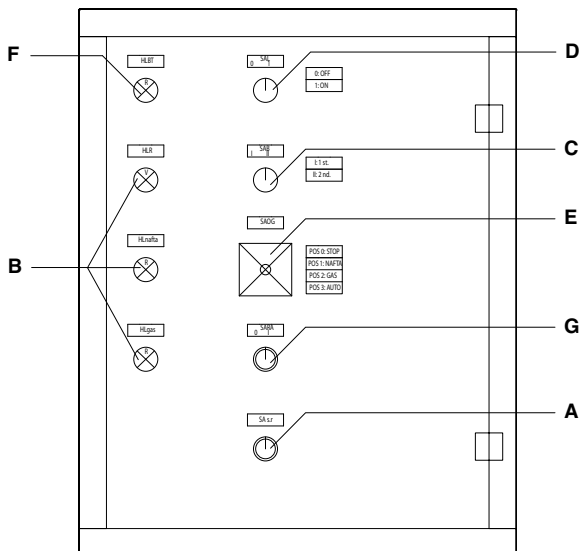
Maximum pressure switch is provided as a kit and shall be assembled into the main gas train according to the instructions of the gas train separate manual.

KITMD-RWF40 PID regulator

All progressive burner can be turned modulation with the installation of the PID that regulates the output combined with a probe.

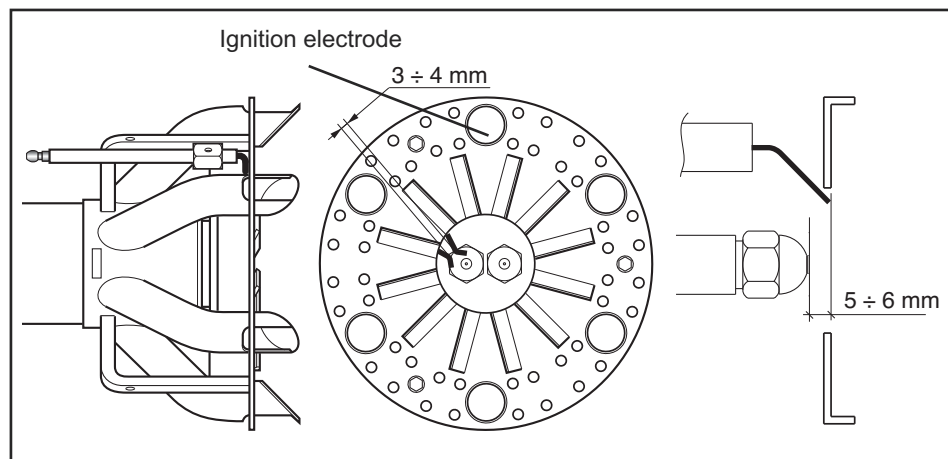
Tightness control	Modulation Kit	Max Pressure switch
KITTC- Model	KITMD-RWF50	KITPRES50
Compulsory > 1200 kW	Probe...	KITPRES150
		

Control panel



- A - Reset Key
- B - Operating lamps (orange=heavy oil; green= gas; red= heater)
- C - Selector switch:
Operation at max. output
Operation at min. output
- D - ON/OFF switch
- E - Selector switch:
0 = Stop
1 = Heavy oil operation
2 = Gas operation
3 = Automatic
- F - Thermal lock-out lamp
- G - Switch AUX heater

Installation - Electrical connection - Checks before commissioning



Position of electrodes

Setting the ignition electrode: see diagram
Always check the position of the electrodes after service or substitution or assembly of LPG kit as wrong position might cause ignition problem.

Checks before commissioning

The following must be checked before initial commissioning:

- That the burner is assembled in accordance with the instructions given here.
- That the burner is pre-set in accordance with the values in the adjustment table.
- Setting the combustion components.
- The heat generator must be ready for operation, and the operating regulations for the heat generator must be observed.
- All electrical connections must be correct.
- The heat generator and heating system must be filled with water and the circulating pumps must be in operation.
- The thermostats, pressure regulator, low water detectors and any other safety or limiting devices that might be fitted must be connected and operational.
- The exhaust gas duct must be unobstructed and the secondary air system, if available, must be operational.
- An adequate supply of fresh air must be guaranteed.
- The heat request must be available.
- Sufficient gas pressure must be available.
- The fuel supply lines must be assembled correctly, checked for leaks and bled.
- A standard-compliant measuring point must be available, the exhaust gas duct up to the measuring point must be free of leaks to prevent anomalies in the measurement results.

Electrical connection

The electrical installation and connection work must only be carried out by an authorised electrical specialist.

All applicable rules and regulations must be observed.

The electrical installation should include a type A circuit breaker.

The applicable guidelines and directives must be observed, as well as the electrical circuit diagram supplied with the burner!

- Check to ensure that the power supply voltage is as specified in the electric diagram and in data plate.
- Burner fuse: 5 A.

Electrical connection (plug-in)

It must be possible to disconnect the burner from the mains using an omnipolar shutdown device complying with the standards in force. The burner and heat generator (boiler) are connected to the terminal block of the cabinet (fig.1).

Connecting the gas train

Connect the gas train to the plugs on the burner.

The burners are produced with connections suitable for power supply 400 V three-phase.

The burners with electric motors of an output lower or equal to 7,5 kW can be

adapted to 220-230 V (please follow the instructions on the backside); motors with higher output can only work 380-400 V three-phase.

In case of request of burners different from the above mentioned standard, it is recommended to make specific mention in the order.

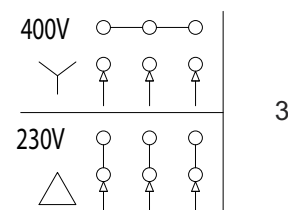
Instructions: how to adapt electric motors of an output lower or equal to 7,5 kW to 220-230 V power supply

It is possible to change the voltage of the burner by operating as follows:

1. change the connection inside the electric box of the motor, from star to delta (see picture 3);
2. change the setting of the thermal relay, referring to the absorption values indicated in the motor nameplate. If necessary, replace the thermal relay with another one of suitable scale.

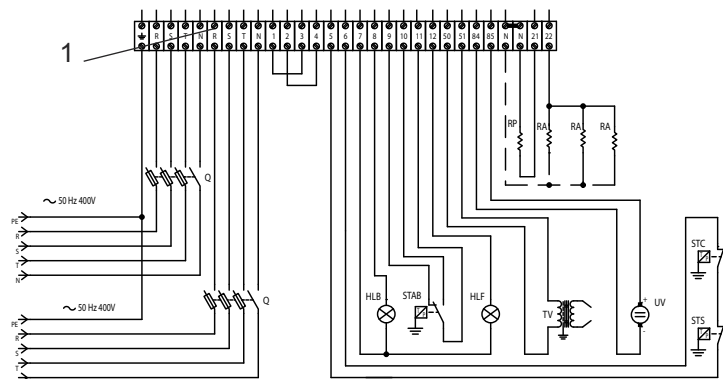
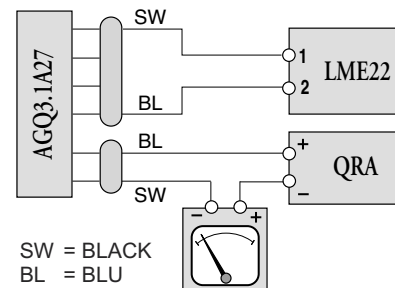
This operation is not possible on motors above 7.5 kW.

For more information, please contact the Ecoflam staff.

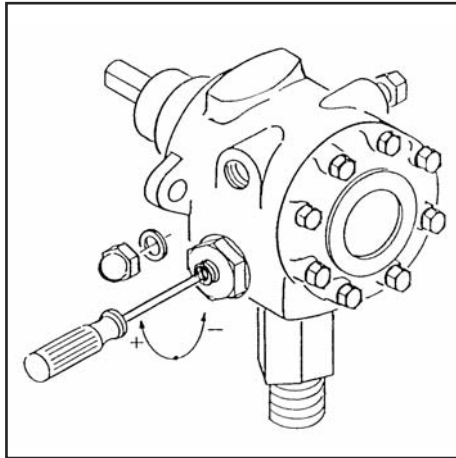
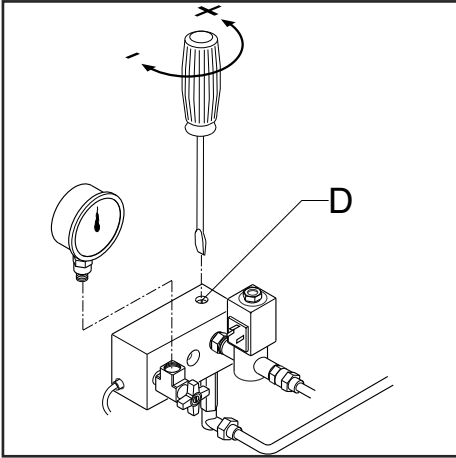


Flame detector system check

The control of the detector current shall be carried out by plugging a microamperometer with full scale at 1000 μ A (D.C.) in series with the UV-cell. If the detector current is too low verify the connection between phase and neutral of the burner and the grounding of the burner itself. Minimum required detector current is 200 μ A.

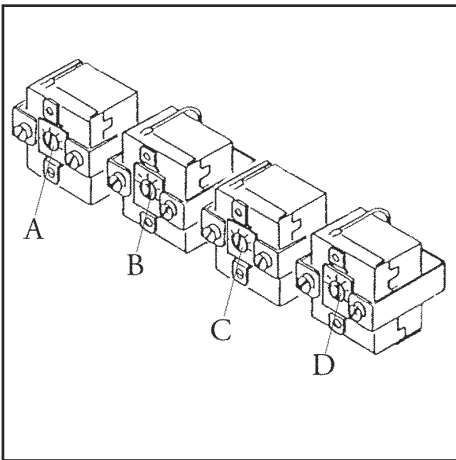


Start up - Adjustment of pump pressure



WARNING: For a correct working of the pump, verify what follows:

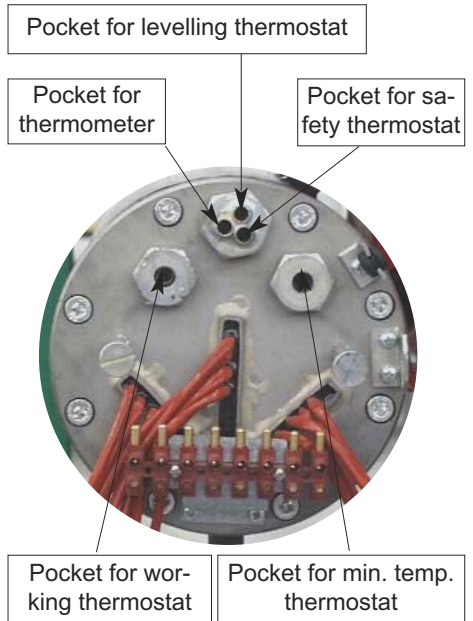
Pump : SUNTEC E4NC 1069 / SUNTEC E6NC 1069
 Oil temperature at the pump: Max. 120 °C
 Maximum allowable pressures: Max. 3,5 bar on inlet



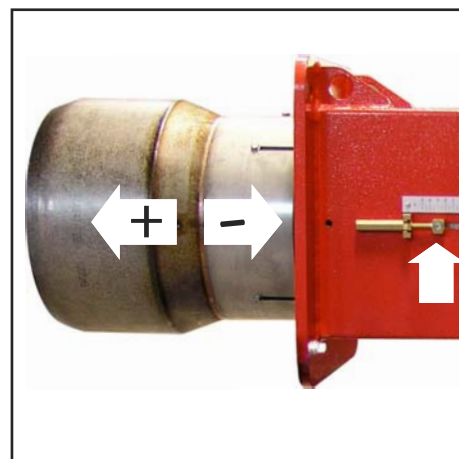
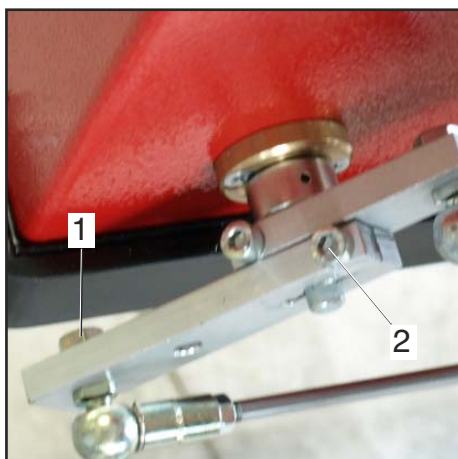
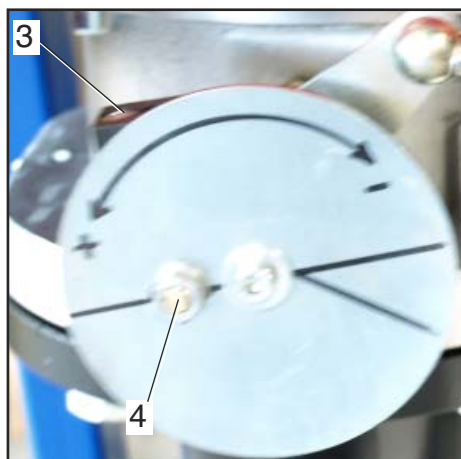
Adjustment of fuel thermostats

The working resistor thermostat must be set to 120 °C, while the safety one to 160 °C. Said adjustments can be slightly modified following the type of fuel and particular uses.

- A - Safety thermostat (160° C).
- B - Working thermostat (120° C).
- C - Levelling thermostat (130° C).
- D - Heavy oil min. temp. thermostat (90° C).



Start up - Adjusting burner output



"PAB" version gas burners gas train installation and setting instructions

Fix the gas train to burner body by means of the screws of the flange, pay attention to set correctly the gasket.

Connect electrically the gas train with the 6 pole plug. Switch on the burner (it has already been tested in the factory, so it is pre set on average values) and verify the tightness of gas train connections made during installation. Act as follows to adapt the burner output to the boiler.

High flame

1. Bring the burner in high flame, air inlet must be set at 75° (maximum opening position). To adjust air capacity operate on the combustion head position. Just in peculiar case it is necessary to reduce the air flow in high flame closing air intake damper.

2. The position of gas butterfly valve must be lower than 90° (typically 85°. It is important not get over 90° to obtain a perfect combustion during passage from high to low flame). Eventually adjust this position acting on the screw "1", after loosening nut "2".

3. Regulate gas capacity in high flame through the gas governor, or operate on the adjustable gas valve.

Low flame

4. Choose the first stage position on the servocontrol (normally between 10° - 30°) on the basis of the reduced charge output required and switch the burner to low flame.

5. Regulate gas capacity, to obtain optimal combustion, changing the position of the gas valve disc, act on screw "3", after loosening nut "4".

Final operations

6. Bring the burner in high flame again, if necessary adjust again gas flow (as shown in point n.2).

7. If necessary repeat operations described on point n. 5 and n. 6 until You obtain the exact position of the gas flow both in high and low flame.

8. Fix the nuts.

Firing head setting

The firing head is pre-adjusted at the 50% from the factory. The setting fully open enables to reach the full power of the burner and full close to reach the minimum power of the burner. The optimal position depends on the output that we need to reach but the default setting shall be modified only when you are not able to reach the suggested combustion value by adjusting the air flow in the maximum flame.

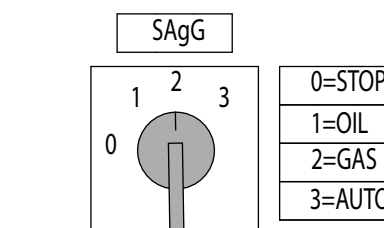
Servomotor SQN 30 151A2700

Remove cover to gain access to the adjusting cams. The cams are to be adjusted through the suitable key provided for. Description:

- I - Limit switch for air damper "High Flame" position adjustment (Max. power).
- II - Limit switch for the air damper position at burner's shut down.
- III - Limit switch for air damper "Low Flame" position adjustment (Min. power).
- V - Limit switch for 2nd stage's solenoid valve opening release.

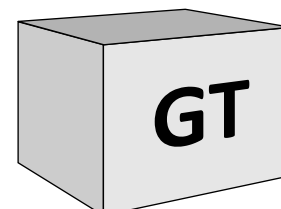
(5): MANUAL RELEASE SWITCH

NOTE : Cam V (to allow the 2nd stage's solenoid valve opening) must be adjusted to an intermediate position between the Low and High Flame ones (to an angle approximately 5° greater than the low flame position).

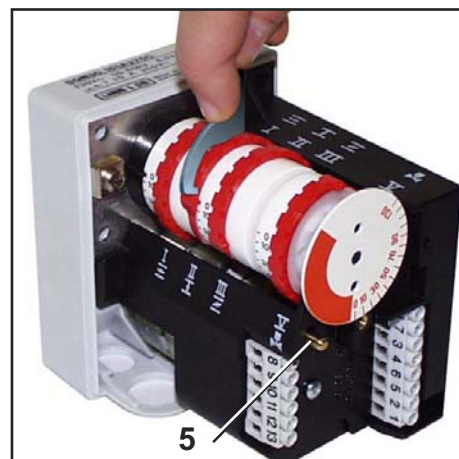


Adjustment of gas solenoid valve

Refer to the gas train manual for the gas setting of the gas train selected.



N.B. observe the minimum required flue gas temperature specified by the boiler manufacturer and the requirements demanded of flue gas ducts for avoiding condensation.



Risk of air blast!

Continuously check CO, CO₂ and soot emissions when adjusting the output of the burner. Optimise combustion values in the event of CO formation. CO must not exceed 50 ppm.

Start up - Air pressure switch adjustment - Setting gas pressostat

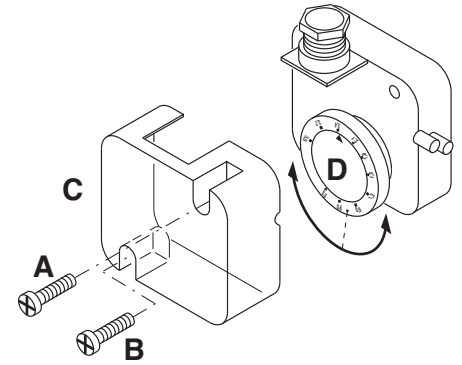
Air pressure switch calibration

The air pressure switch is provided for monitoring the pressure of the combustion air fan.

Unscrew screws A and B and remove cover C.

After the air and gas setting you have to calibrate the air switch with the burner working on the low flame by slowly turning the relative knob clockwise until the burner locks out. Read the value and then decrease it by 15%.

WARNING: the air pressure switch shall prevent the air pressure to go below 85% from the adjustment value in order to prevent the CO in the fumes to exceed 1% (10000 ppm).

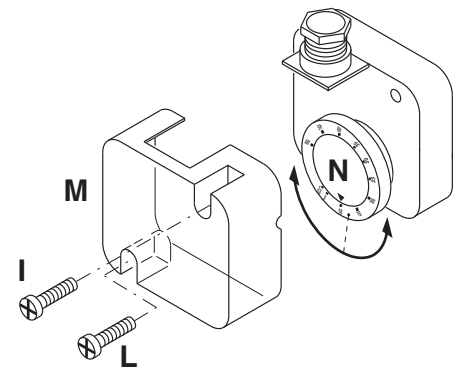


Min gas pressure switch

The gas pressure switch has the function to check that the gas pressure before the gas valve does have the minimum pressure to make the burner running correctly.

Unscrew off and remove cover M.

- Set knob N to a value equal to 60% of gas nominal feed pressure (i.e. for natural gas nom. pressure = 20 mbar, set knob to a value of 12 mbar; for LPG nom. pressure of G30/G31- 30/37 mbar, set knob to a value of 18 mbar). Screw up cover M.



Operating check

Flame monitoring must be checked for safety as part of initial commissioning and also after servicing or if the system has been out of operation for any significant period of time.

- Start attempt with gas ball valve closed: the automatic combustion control unit must switch to gas shortage or malfunction after the end of the safety period.

Service - Maintenance

Burner and boiler servicing must only be carried out by qualified personell. The system operator is advised to take out a service contract to guarantee regular servicing.

temperature is more than 30°C above the value measured at the time of commissioning.

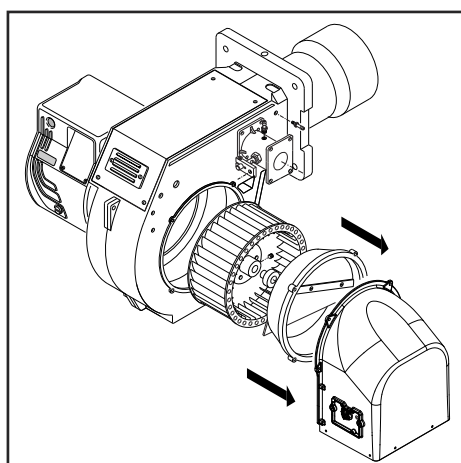
- To simplify the check, use a flue gas temperature indicator.

Attention

- Disconnect the electrical supply before carrying out any maintenance or cleaning work.
- The blast tube and firing head may be hot.

Checking the exhaust gas temperature

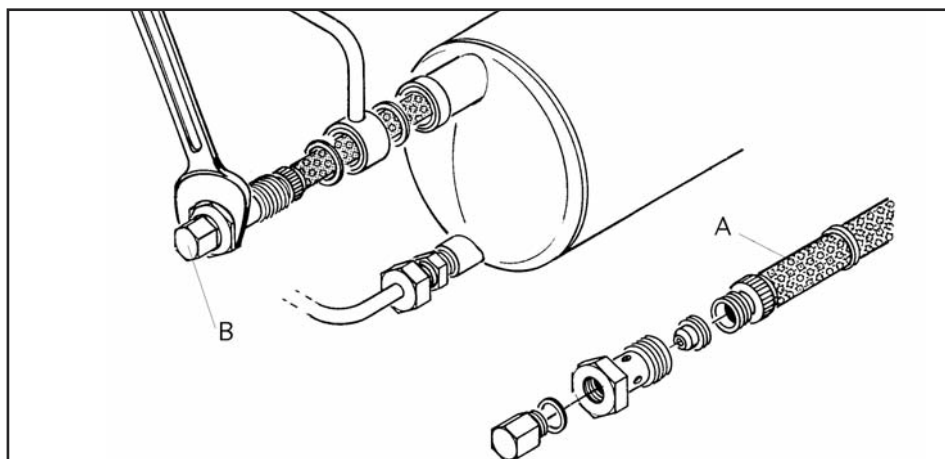
- Check the flue gas temperature at regular intervals.
- Clean the boiler if the flue gas



Maintenance on the burner

- Check gas supply components (tubes, lines) and their connections for leaks or signs of wear, replace if necessary.
- Check electrical connections and connection cables for damage, replace if necessary.
- Check gas filter, clean or replace as necessary.
- Clean fan wheel and housing and check for damage.
- Check and clean the mixing unit.
- Check ignition electrodes block, readjust or replace as necessary.
- Start burner, check flue gas data, correct burner settings if necessary.

- Check the setting for air pressure switch and gas pressostat.
- Check the gas train settings.
- Carry out an operating check.



Removing of the filter

1. Switch-off the burner.
2. Loosen screw B and drain part of the fuel from the heater, until the fuel level drop below the filter.
3. Unscrew and pull out the stem filter A from its seat.
4. Clean the filter and reassemble the parts as shown by the picture, then fit it in its own seat.

It is advisable to replace all filter and valve gaskets whenever they are removed. Note that when the burner is working the heater has a pressure of abt. 23 bar, and that it becomes very dangerous to carry out said operations with the burner running.

Service - Troubleshooting

Fault diagnosis and repair

In the event of a malfunction, first check that the prerequisites for correct operation are fulfilled:

1. Is the system connected to the power supply?
2. Is there any gas pressure?
3. Is the gas shut-off valve open?
4. Are all control and safety devices, such as the boiler thermostat, low

Maintenance

Annual check

The burner (combustion head, electrodes, etc.) must be checked regularly by an authorized technician, once or twice a year, depending on how much it is used. Before proceeding with the maintenance check-up on the burner, it is advisable to check the general condition of the burner and take the following steps:

- Disconnect the burner (remove the plug).
- Close the gas shut-off cock.
 - Remove the cover from the burner, clean the fan and air intake.
 - Clean the combustion head and check the position of the electrodes.
 - Re-install the parts.
 - Check the seal on the gas connectors.
 - Check the state of the flue.
 - Start the burner.
 - Check the combustion parameters

Before taking any action check:

- That there is power in the circuit and the burner is connected;
- That the gas pressure is right and the gas shut-off cock is open;
- That the control systems are properly connected. If all these conditions have been satisfied, start the burner by pressing the reset button.
- Check the burner cycle.

If the burner fails to start:

check the switch, the thermostats, the motor and the gas pressure.

water level detector, limit switch, etc. adjusted correctly?

If the malfunction persists, use the following table.

It is not permitted to repair any components relevant to safety. These components must be replaced by parts with the same order number.

Only use original spare parts.

NB: after each operation:

- under normal operating conditions (doors closed, hood fitted, etc.), check combustion and check the individual lines for leaks.
- Record the results in the relevant documents.

If the burner proceeds with preventilation but cuts out at the end of the cycle:

- Check the air pressure and the fan.
- Check the air pressure switch.

If the burner proceeds with preventilation but does not light:

- Check the installation and position of the electrodes.
- Check the ignition cable.
- Check the ignition transformer.
- Check the safety device.

If the burner lights but cuts out after the safety interval:

- Check that the phase and neutral wires are connected correctly.
- Check the gas solenoid valve.
- Check the position and connection of the UV cell.
- Check the UV cell. Check the safety device.

If the burner lights but cuts out after operating for a few minutes:

- Check the pressure regulator and gas filter.
- Check the gas pressure with a pressure gauge.
- Check the detector value (at least 200 μ A).

Contenuti generali - Indice - Avvertenze generali

Panoramica	Dati tecnici	3
	Curve di lavoro	4
	Dimensioni d'ingombro	5
Contenuti generali	Indice	20
	Avvertenze generali	20
	Descrizione del bruciatore	21
Funzione	Funzioni generali di sicurezza	22
	Programmatore di comando e sicurezza SIEMENS	23
	Pompa bruciatore a olio	24
Installazione	Linea di alimentazione del combustibile	25
	Montaggio del bruciatore	26
	Valvola gas pilota - Pannello di comando	27
	Connessione elettrica - Controlli da eseguire prima della messa in funzione	28
Messa in funzione	Regolazione pressione pompa	29
	Regolazione del bruciatore	30
	Regolazione dei pressostati aria e gas	31
Assistenza	Manutenzione	32
	Possibili inconvenienti	33
Panoramica	Tabella ugelli	62
	Schemi elettrici	63-64
	Parti di ricambio	65-67
Contenuti generali	Dichiarazione di conformità	68

Avvertenze importanti

I bruciatori MULTIFLAM sono progettati per la combustione di gas naturale ed olio, con basse emissioni inquinanti. I bruciatori sono conformi alla norma EN 676 e 267, dal punto di vista della progettazione e del funzionamento. Montaggio, messa in funzione e manutenzione devono essere eseguiti esclusivamente da personale tecnico autorizzato, nel rispetto delle direttive e delle prescrizioni in vigore.

Descrizione del bruciatore

I bruciatori MULTIFLAM sono bistadio, a funzionamento completamente automatico in esecuzione monoblocco. La costruzione speciale della testa di combustione permette di ottenere una combustione con un debole tasso di ossidi di azoto e un coefficiente di rendimento elevato. I valori delle emissioni corrispondono alla classe 2, come definita da EN676 ($\text{NO}_x < 120 \text{ mg/kWh}$). A seconda della geometria del focolare, della carica e del sistema di combustione (caldaia a tre percorsi, caldaia a combustione inversa), si possono riscontrare valori di emissione diversi. Sono adatti per l'allestimento di tutti i generatori di calore conformi alla norma EN 303 o degli aerotermini secondo DIN 4794 o DIN 30697 nell'ambito del rispettivo range di potenza. Per ogni altro

utilizzo è necessaria l'autorizzazione della Ecoflam. Al fine di garantire un funzionamento sicuro, non inquinante ed a basso consumo energetico, è necessario rispettare le seguenti norme:

EN 267

Bruciatore di gasolio ad aria soffiata

EN 676

Bruciatore di gas ad aria soffiata

EN 226

Allacciamento di bruciatori di gasolio a nebulizzazione e bruciatori di gas ad aria soffiata su generatori di calore

EN 60335-1, -2-102

Sicurezza degli apparecchi elettrici per uso domestico, norme particolari per gli apparecchi con combustione a gas.

Luogo di installazione

Il bruciatore non dev'essere messo in funzione in locali in cui siano presenti vapori aggressivi (ad es. lacca per capelli, percloroetilene, tetracloruro di carbonio), notevole accumulo di polvere o forte umidità dell'aria (ad es. lavanderie). Una adeguata ventilazione deve essere fornita nel locale dell'installazione in modo da garantire le condizioni per una buona

combustione. Si possono riscontrare scostamenti dovuti ad eventuali normative locali.

Si esclude qualsivoglia responsabilità per eventuali danni derivanti dalle seguenti cause:

- utilizzo non conforme.
- montaggio difettoso e/o riparazione a cura dell'acquirente o terzi, ivi inclusa l'applicazione di elementi di origine estranea.

Consegna e istruzioni per l'uso

Il costruttore dell'impianto di combustione è tenuto a consegnare al gestore dell'impianto, al più tardi all'atto della consegna dello stesso, le istruzioni per l'uso e la manutenzione. Queste istruzioni devono essere appese nel locale di installazione del generatore termico in modo ben visibile. Devono essere indicati l'indirizzo ed il numero telefonico del punto di assistenza più vicino.

Avvertenza per il gestore

L'impianto dev'essere controllato almeno una volta l'anno da un tecnico specializzato. Al fine di garantire un'esecuzione regolare, si suggerisce di stipulare un contratto per la manutenzione dell'impianto.

I bruciatori Ecoflam sono stati progettati e costruiti nel rispetto delle normative e direttive correnti. Tutti i bruciatori rispondono alle normative sulla sicurezza e sul risparmio energetico nel limite del campo di lavoro dichiarato.

La qualità del prodotto è garantita dal sistema di certificazione in base alla norma ISO 9001:2008.



Contenuti generali - Descrizione del bruciatore

MULTIFLAM 200.1 PAB TC SGT 230-400-50

NOME

MULTIFLAM bruciatori misti (Gas / Olio pesante)

MODELLO (Gas: kW; Olio pesante: kg/h)

MULTIFLAM 200.1 189 kg/h - 2150 kW

EMISSIONI

- Standard Classe 2 - GAS EN676 (<120 mg/kWh)

TIPO DI FUNZIONAMENTO

PAB 2 stadi
PR 2 stadi progressivo meccanico gas / olio pesante
MD 2 stadi progressivo meccanico con PID

TIPO TESTA

TC Testa corta
TL Testa lunga

COMBUSTIBILE

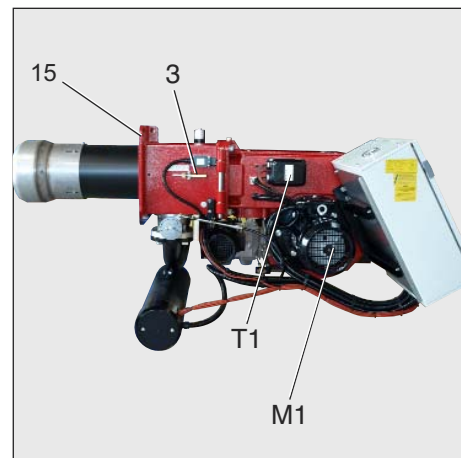
Gas naturale
LPG Gas propano
BIOGAS Biogas

EQUIPAGGIAMENTO

SGT Rampa gas separata

TENSIONE DI ALIMENTAZIONE

230-400-50 230-400 Volt, 50 Hz



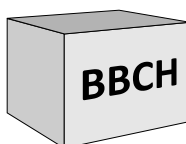
- A1 SIEMENS programmatore di comando e sicurezza gas
- F6 Pressostato aria
- M1 Motore elettrico
- T1 Trasformatore d'accensione
- Y10 Motoriduttore
- 3 Regolazione dell'aria nella testa di combustione
- 5 Fusione
- 8 Boccaglio
- 15 Flangia bruciatore
- 16 Pulsante Reset
- 113 Cuffia aria

Imballaggio

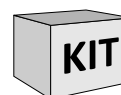
Il bruciatore è consegnato con un sistema modulare di imballo (scatole separate):

BBCH: Bruciatore completo con testa di combustione e flangia.

- 1 sacchetto : - manuale tecnico in multilingue.
- chiave esagonale.
- viti, dadi e rosette.

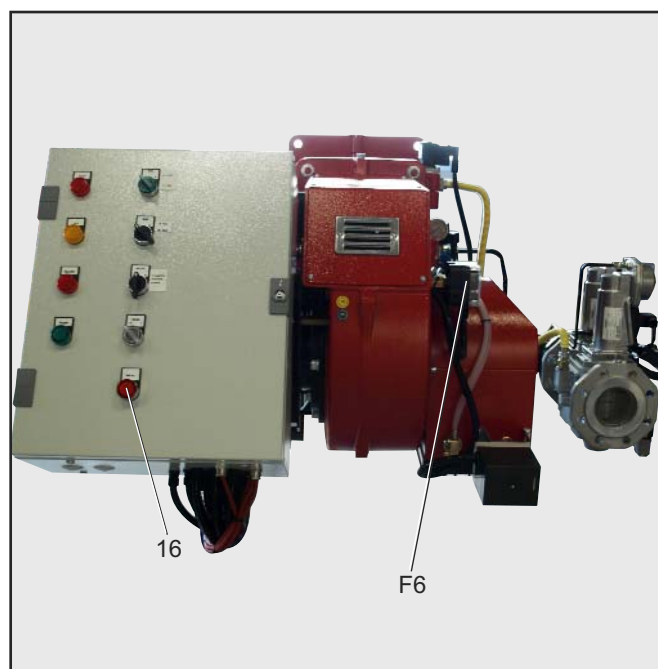
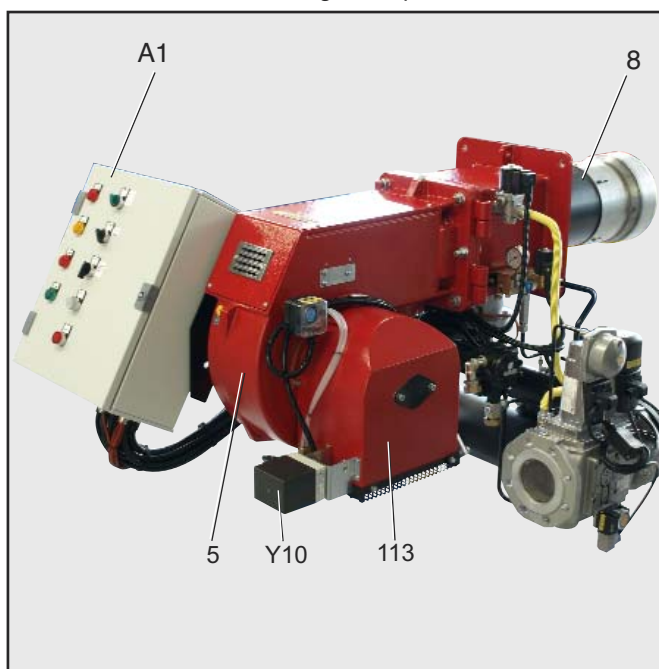


KIT & ACS ordinabili e consegnati separatamente



GT: Rampa Gas separata

KIT & ACS ordinabili e consegnati separatamente



Funzione - Funzioni generali di sicurezza

Descrizione del funzionamento

Alla prima messa sotto tensione, dopo un'interruzione di corrente e una fase di messa in sicurezza, dopo un'interruzione di gas o dopo un arresto di 24 ore, comincia un tempo di preventilazione di 30 sec.

Durante il tempo di preventilazione:

- la pressione dell'aria viene monitorata.
- controllo della presenza di eventuali segnali di fiamma anomali.

Al termine del tempo di preventilazione

- l'accensione è inserita.
- l'elettrovalvola principale e di sicurezza è aperta.
- il bruciatore si avvia.

Sorveglianza

La fiamma viene monitorata da fotocellula UV. Il bruciatore entra in stato di anomalia, se la fotocellula non rileva la luce della fiamma.

Funzioni di sicurezza

- Se all'avvio del bruciatore (rilascio del gas) non si forma la fiamma, il bruciatore viene arrestato al termine di un intervallo di sicurezza di max. 3 secondi, la valvola del gas si chiude.
- In caso di anomalia della fiamma durante il funzionamento, l'alimentazione del gas si interrompe nella frazione di un secondo. Viene avviata una nuova messa in funzione. Se il bruciatore si avvia, il ciclo di funzionamento prosegue. In caso contrario si instaura una fase di messa in sicurezza.

- In caso di mancanza d'aria durante la preventilazione o il funzionamento, si instaura una fase di messa in sicurezza.
- In caso di mancanza di gas, il bruciatore non si mette in funzione e/o si arresta.

Arresto di regolazione

- Il termostato di regolazione interrompe la richiesta di riscaldamento.
- Le valvole gas si chiudono.
- La fiamma si spegne.
- Il motore del ventilatore si ferma
- Il bruciatore è pronto per il

Funzionamento

Una volta sviluppatasi la fiamma, viene abilitato il regolatore di potenza che porta il bruciatore in posizione operativa. Il regolatore di potenza controlla ora automaticamente il bruciatore tra le proprie fasi di carico parziale e di pieno carico. A seconda del calore richiesto, l'attuatore elettrico del sistema di comando composito verrà alimentato con comando APERTO o CHIUSO tramite il regolatore e pertanto aumenterà o diminuirà la portata dell'olio (gas) e dell'aria. Questo sistema di controllo composito varia le posizioni della valvola di comando dell'olio (gas) e del regolatore dell'aria, regolando quindi la portata dell'olio (gas) in relazione alla portata dell'aria. Il bruciatore può essere controllato in base a un concetto di scorrimento a 2 fasi oppure, se è disponibile un relativo controller, in base a

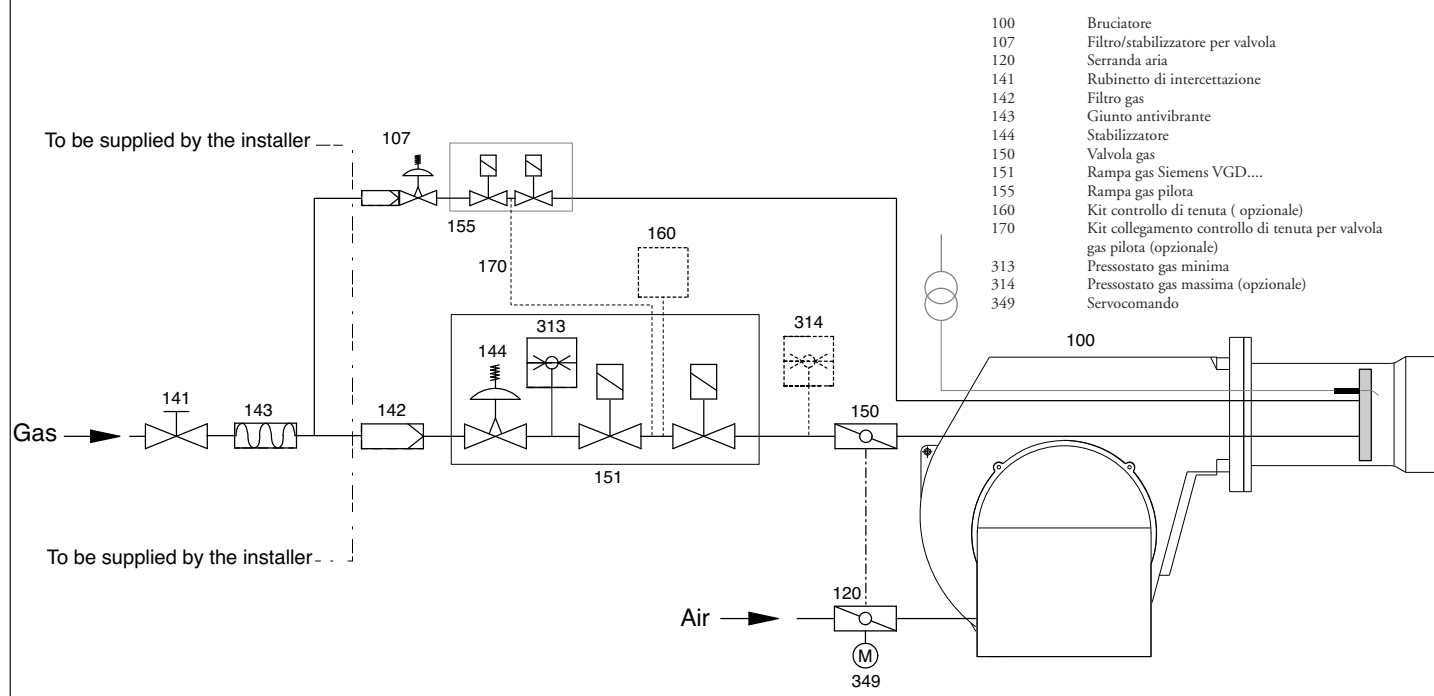
un concetto di variazione continua.

Il variatore continuo consente al bruciatore di essere azionato in qualsiasi fase tra le proprie posizioni di carico parziale e di pieno carico.

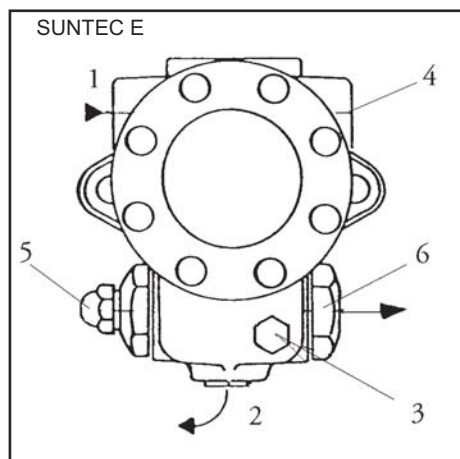
Prima di spegnersi il bruciatore si porta alla minima potenza.

All'arresto del bruciatore, la serranda dell'aria si richiude impedendo il flusso di aria fredda nella camera di combustione, nello scambiatore termico e nel camino. Le perdite di raffreddamento interne sono ridotte al minimo. successivo funzionamento.

SCHEMA DI COLLEGAMENTO PER BRUCIATORI A GAS CON VALVOLA PILOTA SEPARATA (rampa gas Siemens VGD...)



Funzione - Pompa del bruciatore



- 1 allacciamento aspirazione.
- 2 allacciamento di ritorno.
- 3 allacciamento manometro olio.
- 4 allacciamento manometro depressione.
- 5 regolazione della pressione olio.
- 6 allacciamento pressione.

La pompa utilizzata nei bruciatori di olio è una pompa ad ingranaggi autoadescante, che deve essere collegata con sistema bitubo; nella tubazione d'aspirazione inserire il filtro. Nella pompa sono incorporati un filtro d'aspirazione ed un regolatore di pressione del olio. Prima della messa in funzione dell'apparecchio collegare i manometri per le misurazioni della pressione e della depressione. **NB:** prima di avviare il bruciatore, controllare che il ritorno sia aperto. Un'eventuale ostruzione può causare danni alla guarnizione della pompa.

DATI TECNICI

Generalità

Montaggio	a flangia conforme agli standard EN 225.
Attacchi	cilindrici in accordo con ISO228/1
Entrata e ritorno	G 1/2"
Uscita all'ugello	G 1/4"
Attacco manometro pressione	G 1/8"
Attacco vuotometro	G 1/2"
Funzione della valvola	regolazione della pressione - no taglio
Filtro	superficie utile: 45 cm grado di filtraggio: 550 µm
Albero	Ø 11mm in accordo con standard EN 225.
Grano di By-pass	Inserito nel foro di ritorno per installazioni a 2 tubi; da togliere con chiave tipo Allen 3/16" per installazione monotubo.

Peso

4 kg

Dati idraulici

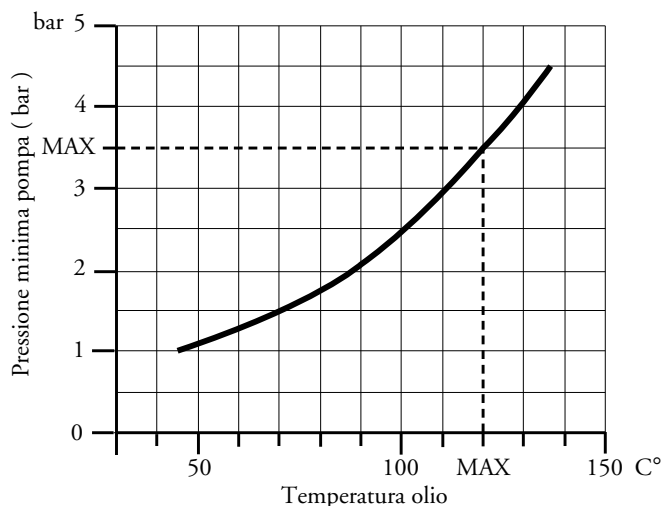
Campo di pressione all'ugello	14 - 30 bar
Taratura di fabbrica	20 bar
Campo viscosità	3 - 75 cSt
Temperatura olio	0 - 130°C max. nella pompa
Pressione entrata	installazione a gasolio: 0,45 bar max. vuoto installazione a nafta: 3,5 bar max.
Pressione ritorno	installazione a gasolio: 3,5 bar max. installazione a nafta: 3,5 bar max.
Velocità	3600 gpm max.
Coppia (a 40 gpm)	0,3 N.m

Sceita del riscaldatore

Cartuccia	Ø 12 mm
Raccordo di collegamento	in accordo con EN 50262
Potenza	50-80 W

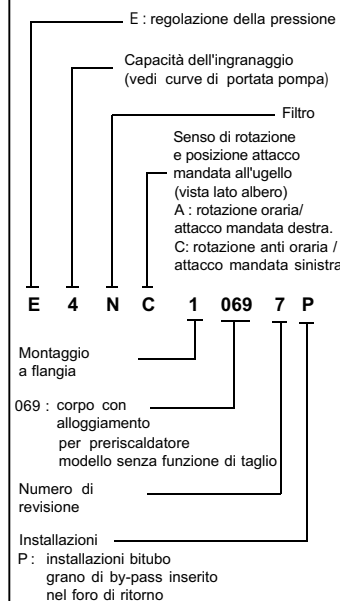
Diagramma pressione pompa / Temperatura olio

La gasificazione di frazioni volatili contenute nell'olio combustibile riscaldato, risulta essere la causa principale dell'usura prematura della pompa di alimentazione. Per ovviare a tale inconveniente, regolare la pressione della pompa in base al grafico in basso.

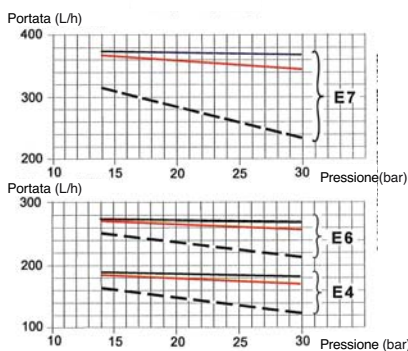


IDENTIFICAZIONE DELLA POMPA

(Non tutte le combinazioni sono disponibili. Contattare Suntec).



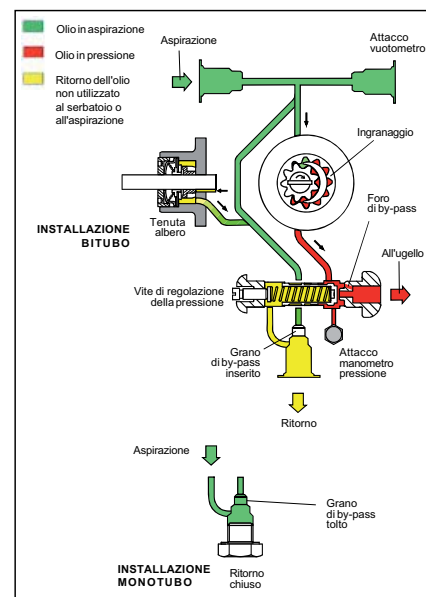
Portata della pompa



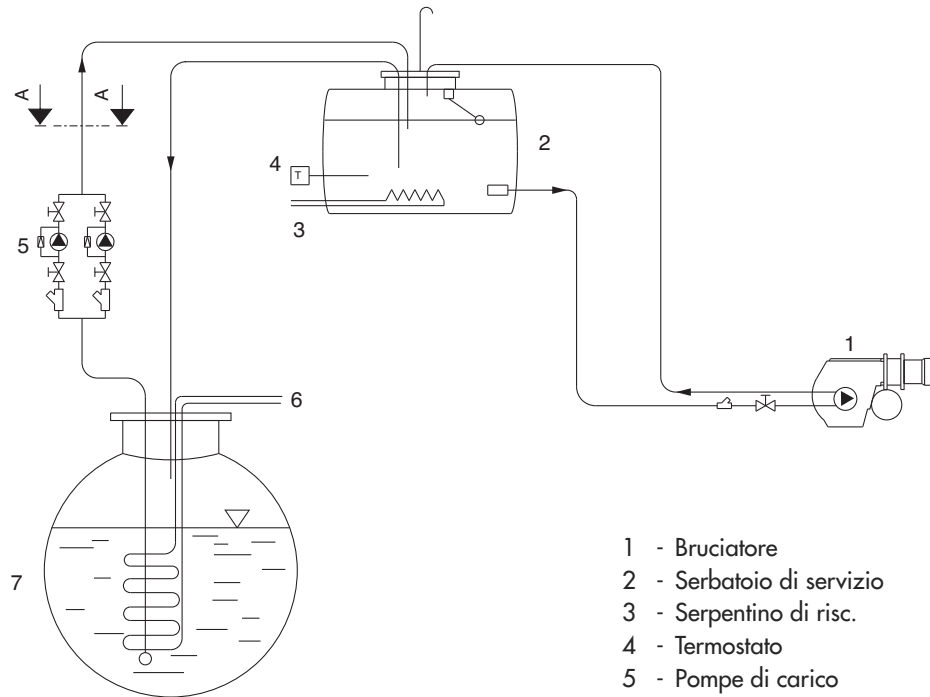
Viscosità = ——— 200 cSt
 - - - - - 20 cSt
 - - - - - 5 cSt

Velocità = 2850 gpm

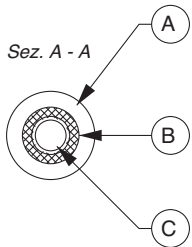
Le caratteristiche indicate tengono conto di un margine di usura. Non aumentare le misure della pompa quando si sceglie la capacità dell'ingranaggio.



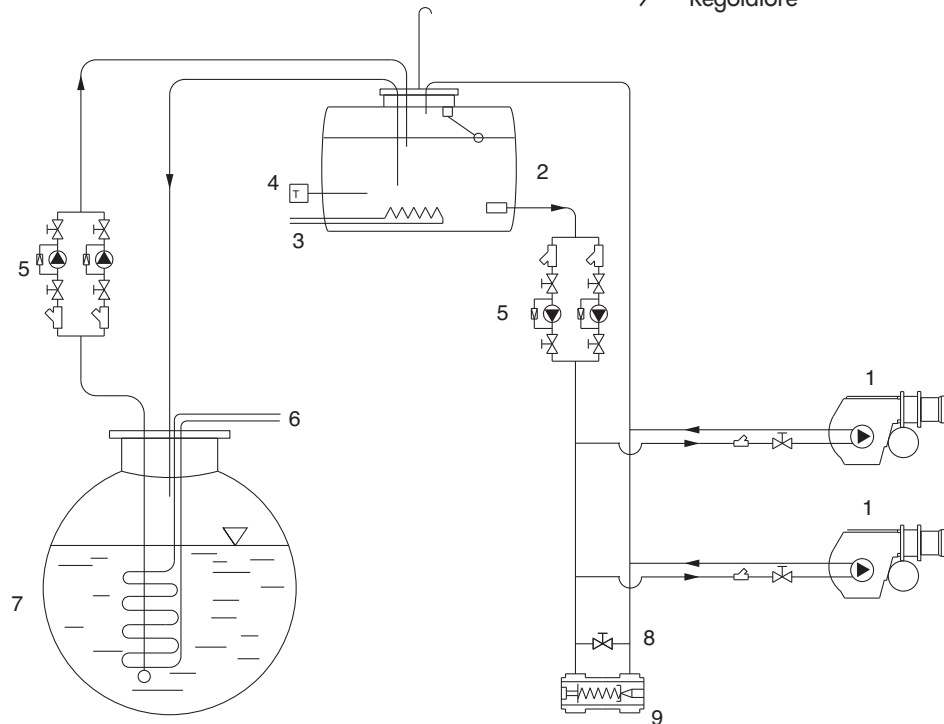
Installazione - Linea di alimentazione del combustibile



- 1 - Bruciatore
- 2 - Serbatoio di servizio
- 3 - Serpentino di risc.
- 4 - Termostato
- 5 - Pompe di carico
- 6 - Riscaldatore
- 7 - Serbatoio principale
- 8 - By-pass
- 9 - Regolatore

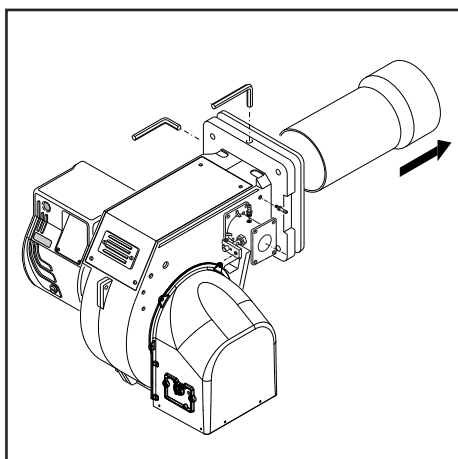
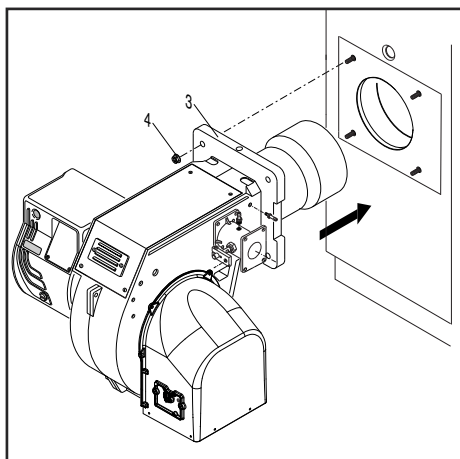


Legenda
 A - Guaina isolante
 B - Resistenza elettrica
 C - Tubo alim. combust.



IMPORTANTE: Tutte le linee di alimentazione sono riscaldate (vedi sez. A-A)

Installazione - Montaggio del bruciatore



Montaggio del bruciatore

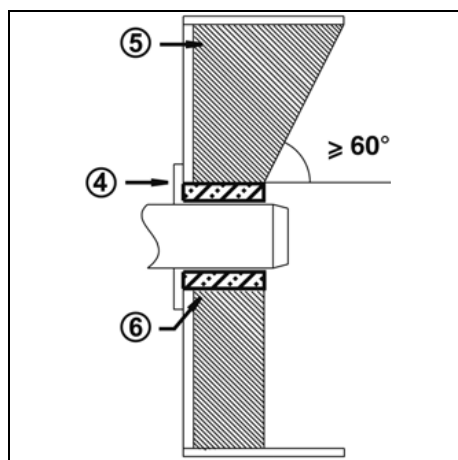
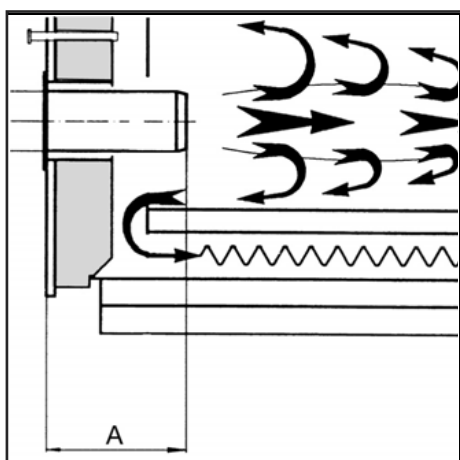
bruciatore viene fissato alla caldaia.

Montaggio :

- Fissare la flangia di attacco 3 alla caldaia con le viti 4.

Smontaggio :

- Allentare le viti e rimuovere il bruciatore.



Profondità di montaggio del boccaglio del bruciatore e rivestimento refrattario

Per i generatori senza parete anteriore raffreddata e in assenza di indicazioni contrarie da parte del costruttore della caldaia, è necessario eseguire un rivestimento in mattoni o l'isolamento secondo la figura (5) a lato.

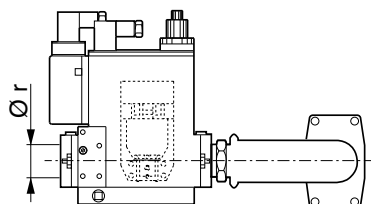
Il rivestimento in mattoni non deve sporgere oltre il bordo anteriore del boccaglio e deve terminare con una conicità massima di 60°. Lo spazio d'aria (6) dev'essere riempito con un materiale isolante elastico, non infiammabile.

Condotto dei fumi

Al fine di evitare rumorosità indesiderate si raccomanda di evitare l'utilizzo di raccordi ad angolo retto al momento del collegamento della caldaia al camino.

Linea alimentazione gas

Nell'installazione della linea di alimentazione e della rampa gas bisogna osservare le prescrizioni della EN676. Si deve installare il Kit obbligatorio EN676. Ulteriori accessori dovranno essere montati dall'installatore per soddisfare eventuali normative locali.



Prescrizioni di ordine generale per l'allacciamento del gas

- Il collegamento della rampa gas alla rete del gas deve essere effettuato esclusivamente da un tecnico esperto autorizzato.
- La sezione della tubazione del gas deve essere preparata in modo tale che la pressione di alimentazione del gas non possa scendere al di sotto del valore prescritto.
- Una valvola manuale di arresto (non fornita) deve essere montata a monte della rampa gas.

Allacciamento dell'olio

Il filtro deve essere montato in modo tale che sia garantita una corretta guida del tubo flessibile.

I tubi flessibili non devono essere piegati.

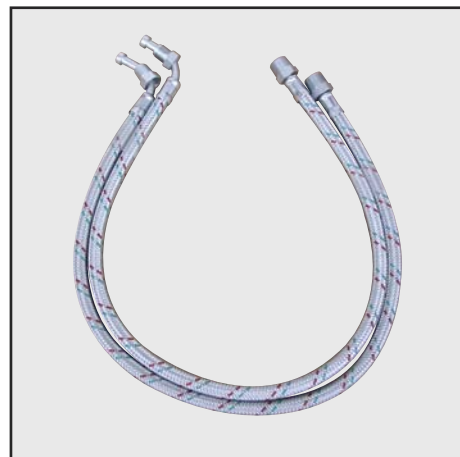
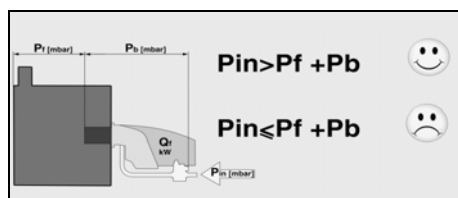


LEGENDA

Pf: Contropressione al focolare

Pb: Pressione gas bruciatore (testa di combustione + rampa gas)

Pin: Pressione minima di alimentazione



Installazione - Pilot gas - Pannello di comando

COLLEGAMENTO RAMPA GAS PILOTA

La rampa gas pilota è già montata al bruciatore e deve essere collegata alla linea principale di alimentazione del gas preferibilmente con il tubo flessibile. La rampa gas pilota si compone di n° 2 valvole di sicurezza e di n° 1 regolatore di pressione e filtro. Max pressione in ingresso 1 bar.

ATTENZIONE: rampa gas pilota deve essere collegato secondo lo schema della linea gas.

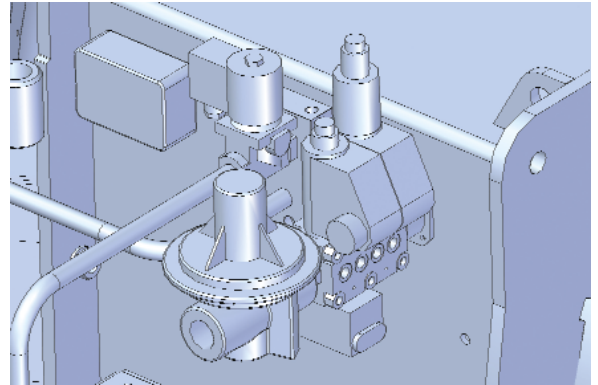
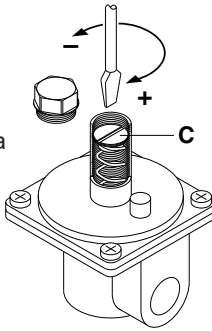
Regolazione delle valvole gas

Nota : le valvole pilota sono pre-regolati in fabbrica. Per aumentare o diminuire il flusso di gas agire sul regolatore di pressione.

Regolazione del regolatore di pressione

Il regolatore di pressione, con filtro incorporato, deve essere montato per stabilizzare la pressione del gas in uscita ed evitare che eventuali impurità arrivino alla valvola del gas. Per aumentare la pressione del gas in uscita, togliere il coperchio del regolatore ed avvitare la vite C; per ridurla svitare la vite C, quindi rimettere il coperchio.

Nota: la pressione del gas in ingresso non deve essere superiore alla pressione massima prevista.



KITTC- Controllo di tenuta

Il controllo di tenuta viene fornito come kit e deve essere assemblato nella rampa gas principale secondo le istruzioni del manuale rampa gas.

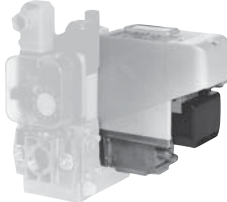

KITPRES... Montaggio pressostato gas max

Pressostato gas di massima viene fornito come kit e deve essere assemblato nella rampa gas principale secondo le istruzioni del manuale rampa gas.

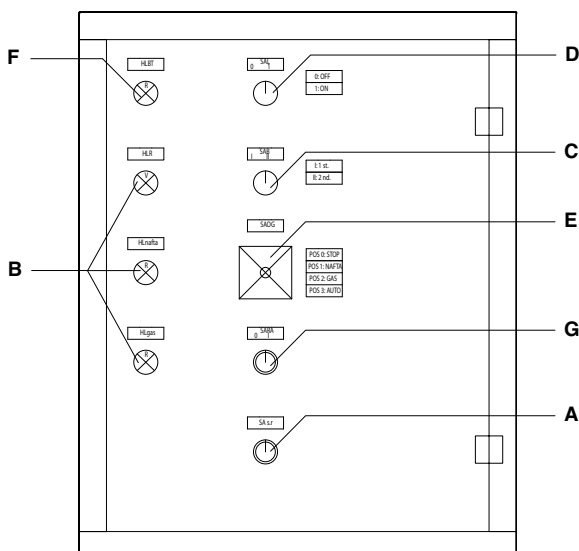
KITMD-RWF50 PID regolatore

Tutti i bruciatori progressivi possono essere modificati in modulanti installando il KITMD-RWF50 che regola la potenza con una sonda.

Controllo di tenuta	Kit modulante	Pressostato gas max
KITTC- Model	KITMD-RWF50	KITPRES50
Obbligatorio > 1200 kW	Sonda -...	KITPRES150

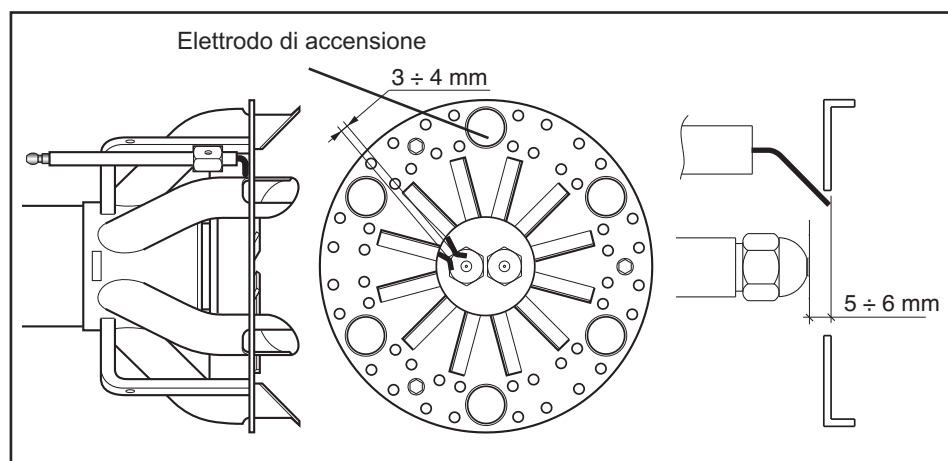




Pannello di comando



- A** - Pulsante Reset
- B** - Lampade di funzionamento
(arancione=olio pesante; verde= gas; red= resistenze)
- C** - Selettore:
Funzionamento a max. portata
Funzionamento a min. portata
- D** - Interruttore ON/OFF
- E** - Selettore:
0 = Stop
1 = funzionamento olio pesante
2 = funzionamento gas
3 = Automatico
- F** - Lampada di blocco termico
- G** - Interruttore resistenze ausiliarie

Installazione - Connessione elettrica - Controlli da eseguire prima della messa in funzione



Allacciamento elettrico

L'impianto elettrico e i lavori di allacciamento devono essere eseguiti esclusivamente da personale specializzato autorizzato. A tal proposito devono essere rispettate le normative e le direttive vigenti. L'impianto d'alimentazione dovrà essere dotato di un interruttore differenziale di tipo A.

Rispettare obbligatoriamente le prescrizioni e le direttive in vigore, oltre allo schema elettrico fornito con il bruciatore!

- Verificare che la tensione di rete corrisponda alla tensione d'esercizio indicata nello schema elettrico e targa dati. Fusibile sulla caldaia: 5 A

Allacciamento elettrico (plug-in)

Il bruciatore deve poter essere scollegato dalla rete mediante uno dei corrispondenti dispositivi di interruzione onnipolari conformi alle norme vigenti. Bruciatori e generatori termici (caldaie) vengono collegati tra di loro mediante una connessione alla morsettiere del pannello (fig. 1).

Collegamento della rampa gas

Eseguire il collegamento della rampa gas con le prese situate sul bruciatore (fig. 2).

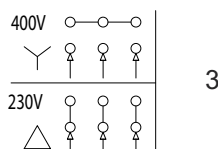
I bruciatori sono prodotti con i collegamenti adatti all'alimentazione 400 V trifase.

I bruciatori con motori elettrici di potenza inferiore o uguale a 7,5 kW possono essere adattati per alimentazione a 220-230 V (seguire le istruzioni sul retro); per i

motori con potenze superiori è possibile solo l'alimentazione a 380-400 V trifase. In caso di richiesta di bruciatori diversi dallo standard sopra indicato si raccomanda di farne specifica menzione nell'ordine.

Istruzioni: come adattare motori elettrici di potenza uguale o inferiore a 7,5 kW per alimentazione 220-230 V

E' possibile modificare il voltaggio del bruciatore operando come segue:
1. modificare il collegamento all'interno della scatola di alimentazione del motore elettrico: da stella a triangolo (vedi figura 3);
2. modificare la taratura del relè termico, riferendosi ai valori di assorbimento riportati nella targa dati del motore elettrico. Se necessario, sostituire il relè termico con altro di scala idonea. Questa operazione non è possibile su motori superiori ai 7,5 kW. Per ulteriori informazioni, vi preghiamo di contattare il personale Ecoflam.



Posizione elettrodi

Verificare sempre la posizione degli elettrodi dopo la loro sostituzione o il montaggio del KIT LPG. Una posizione errata può comportare problemi di accensione.

Controlli da eseguire prima della messa in funzione

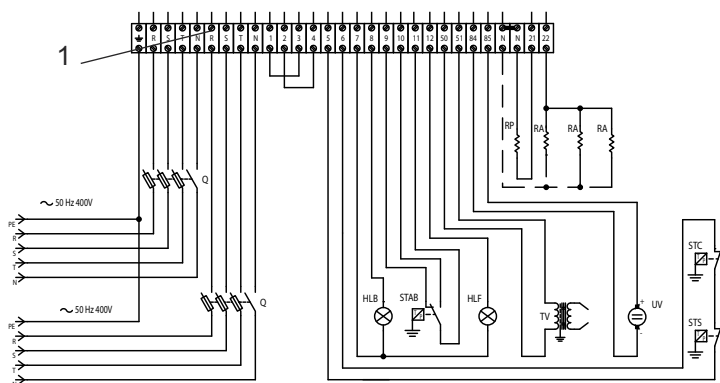
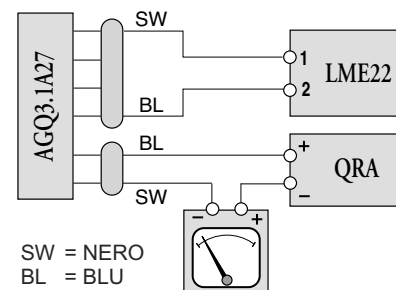
Prima della messa in funzione devono essere controllati i seguenti punti.

- Montaggio del bruciatore secondo le presenti istruzioni.
- Preimpostazione del bruciatore secondo le indicazioni riportate nella tabella di regolazione.
- Controllo degli organi di combustione
- Il generatore termico dev'essere pronto per l'uso, le prescrizioni di montaggio del generatore termico devono essere rispettate.
- Tutti gli allacciamenti elettrici devono essere eseguiti correttamente.
- Il generatore termico ed il sistema di riscaldamento sono pieni d'acqua, le pompe di circolazione sono in funzione.
- Termostati, regolatore di pressione, dispositivo di sicurezza in caso di carenza d'acqua ed altri dispositivi limitatori eventualmente installati sono correttamente collegati e funzionanti.
- Le vie di scarico dei fumi devono essere sgombrare, il dispositivo per l'aria secondaria, se presente, dev'essere in funzione.
- Dev'essere garantito un sufficiente apporto di aria pura.
- Dev'essere presente una richiesta di riscaldamento.
- Deve essere disponibile una pressione del gas sufficiente.
- I condotti per il combustibile devono essere installati a regola d'arte, devono essere sottoposti ad un controllo per garantirne l'ermeticità ed essere disaerati.
- Il punto di misurazione previsto dalla norma per il controllo dei fumi di scarico dev'essere presente, il percorso dei fumi sino al punto di misurazione dev'essere a tenuta stagna in modo che i risultati delle misurazioni non possano essere falsati.

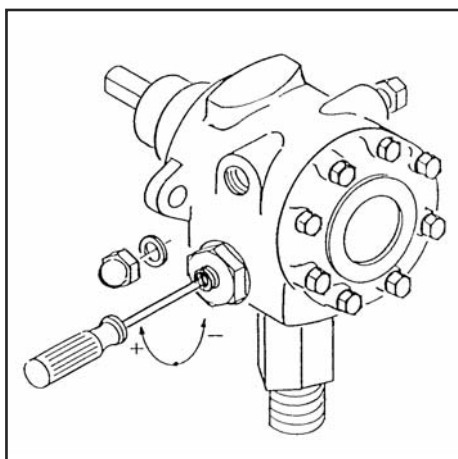
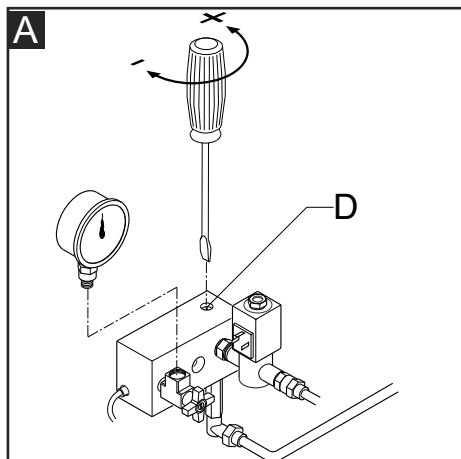
Misurazione della corrente di rivelazione

Il controllo della corrente di rivelazione si effettua inserendo un microamperometro con fondo scala di 1000 µA (corrente continua) in serie alla fotocellula.

Se la corrente di rivelazione è troppo bassa verificare il collegamento fase e neutro del bruciatore e la messa a terra del bruciatore stesso. Normalmente il valore della corrente di rivelazione è 200 µA.



Messa in funzione - Regolazione pressione dell'olio



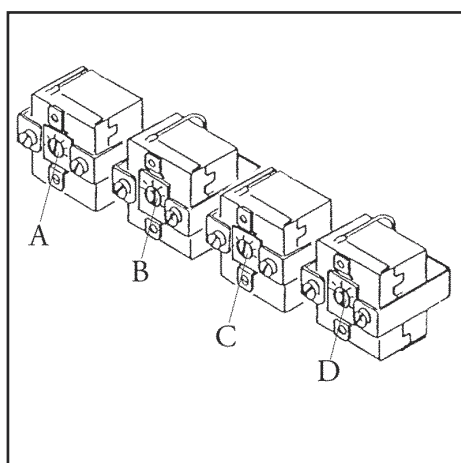
Attenzione: Per un corretto funzionamento della pompa, verificare quanto segue:

Pompa : SUNTEC E4NC 1069 / SUNTEC E6NC 1069

Temperatura del combustibile alla pompa : Max. 120 °C

Pressioni massime ammissibili: Max. 3,5 bar in ingresso.

A : Regolazione della pressione in fase di prelavaggio.



Regolazione termostati olio combustibile

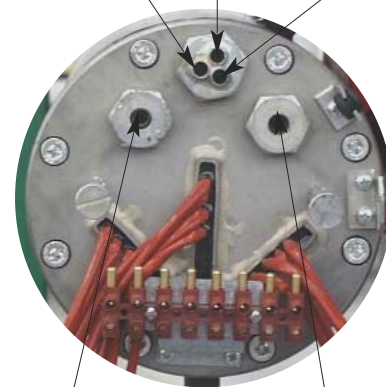
Il termostato di lavoro delle resistenze va impostato sui 120 °C e il termostato di sicurezza sui 160 °C. Queste regolazioni possono essere leggermente modificate in funzione del tipo di combustibile e di particolari applicazioni.

- A - Termostato di sicurezza (160° C).
- B - Termostato di lavoro (120° C).
- C - Termostato di livellamento (130° C).
- D - Termostato di min. temperatura olio combustibile (90° C).

Guaina porta sonda per termostato di livellamento

Guaina porta sonda per termometrothermometer

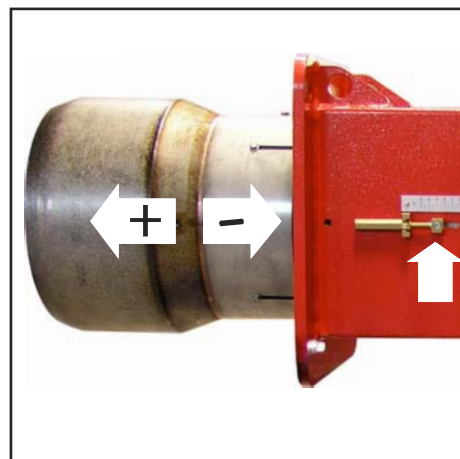
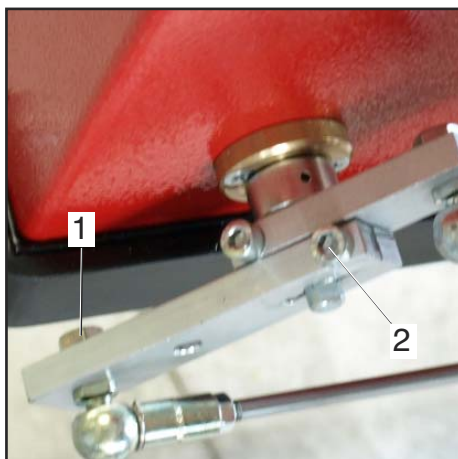
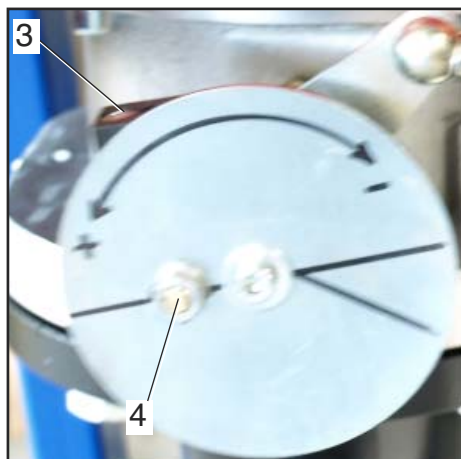
Guaina porta sonda per termostato di sicurezza



Guaina porta sonda per termostato di lavoro

Guaina porta sonda per termostato di min.

Messa in funzione - Regolazione



Bruciatori versione PAB assemblaggio e regolazione della rampa gas

Montare la rampa gas fissando le viti della flangia e facendo attenzione al corretto posizionamento della guarnizione di tenuta. Collegare elettricamente la rampa gas tramite la spina a 6 poli. Accendere il bruciatore (in fabbrica è già stata eseguita una pre-taratura di massima) e verificare la tenuta dei raccordi gas eseguiti in sede di installazione. Per adeguare il bruciatore all'effettiva potenza della caldaia agire come segue:

Alta fiamma

1. Portare il bruciatore in alta fiamma (la posizione della serranda aria deve essere impostata a 75° (apertura massima), per regolare la portata dell'aria agire sulla posizione della testa di combustione. Solo in particolari casi è necessario ridurre l'aria in alta fiamma, chiudendo l'aspirazione.
2. La posizione della farfalla gas dovrà essere inferiore ai 90° (es. 85°, è importante non superare i 90° per ottenere un'ottima combustione durante il passaggio da alta a bassa fiamma). Eventualmente regolare questa posizione agendo sulla vite "1", dopo aver allentato "2".
3. Regolare la portata del gas in alta fiamma tramite lo stabilizzatore, o agendo sulla valvola del gas regolabile.

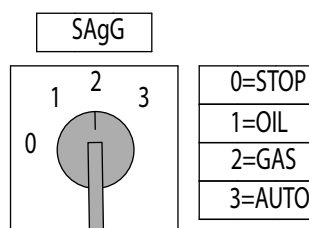
Bassa fiamma

4. Scegliere la posizione di primo stadio sul servocomando (normalmente compresa tra 10° e 30°) in base alla potenza di carico ridotto richiesta, e commutare in bassa fiamma.
5. Per ottenere una combustione ottimale, regolare la portata del gas, cambiando la posizione del disco della valvola del gas. Agire sulla vite "3", dopo aver allentato il dado "4".

Operazioni successive

6. Portare il bruciatore in alta fiamma, ed eventualmente riposizionare la valvola a farfalla come indicato al punto 2.
7. Se necessario, ripetere più volte le ope-

razioni descritte ai punti 5 e 6 per ottenere le posizioni esatte della valvola a farfalla, sia in alta che in bassa fiamma.
8. Fissare i dadi.



Regolazione della valvola gas

Regolate le valvole gas in base alle istruzioni del manuale della rampa gas.

Regolazione della testa di combustione

La testa di combustione è pre-impostata al 50% dalla fabbrica. L'impostazione aperta permette di raggiungere la massima potenza del bruciatore ed invece chiusa per raggiungere la potenza minima del bruciatore. La posizione ottimale dipende dalla potenza che dobbiamo raggiungere, ma l'impostazione di default deve essere modificato solo quando non si è in grado di raggiungere il valore di combustione suggerito regolando il flusso d'aria nella fiamma massima.

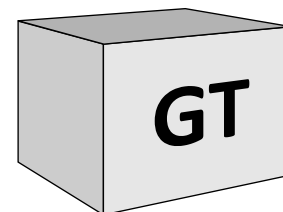
Servomotor SQN 30 151A2700

Togliere il coperchio per accedere alle camme di regolazione. Lo spostamento delle camme va effettuato con l'ausilio dell'apposita chiavetta in dotazione:

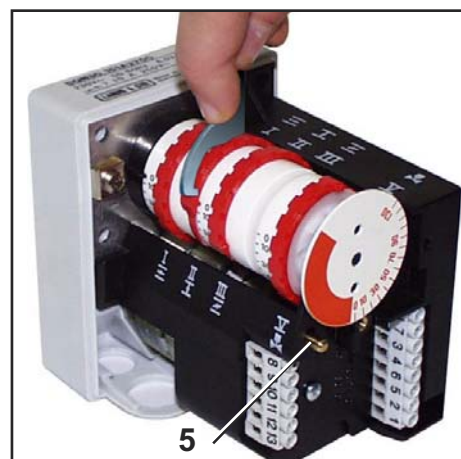
- I - Camma di regolazione posizione di apertura in 2° fiamma (potenza max.).
- II - Camma di regolazione della posizione serranda allo spegnimento (chiusura).
- III - Camma di regolazione posizione di apertura in 1° fiamma (potenza min.).
- V - Camma di consenso all'apertura dell'elettrovalvola del 2° stadio.

(5): LEVA DI SBLOCCO

NOTA: La camma V (di consenso all'apertura dell'elettrovalvola del 2° stadio) va regolata in una posizione intermedia tra quella di 1° fiamma e quella di 2° fiamma (ad un angolo di circa 5° superiore a quello della posizione di 1° fiamma).



N.B. rispettate il valore minimo della temperatura fumi specificato dal costruttore della caldaia per evitare la formazione di condensa.



Pericolo di deflagrazione:

durante le operazioni di regolazione, verificare costantemente le emissioni di CO, CO2 e l'indice di fumosità. In presenza di formazioni di CO modificare i valori della combustione. Il valore massimo di CO non deve superare i 50ppm.

Messa in funzione - Regolazione dei pressostati aria e gas

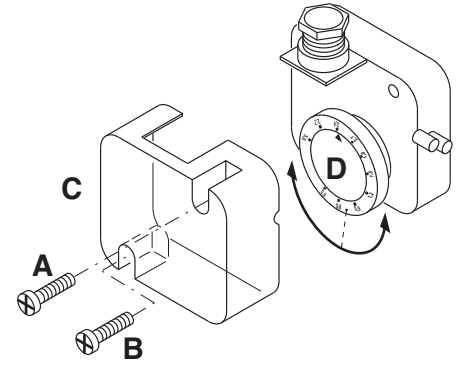
Regolazione del pressostato aria

Il pressostato aria controlla la pressione dell'aria di ventilazione.

Svitare le viti A e B e rimuovere il coperchio C.

Dopo aver tarato l'aria e il gas, con il bruciatore in funzione ruotate lentamente in senso orario la ghiera D fino all'arresto di blocco del bruciatore. Leggete il valore indicato sulla ghiera e riducetelo del 15%. Rimontare il coperchio C e riavvitare le viti A e B.

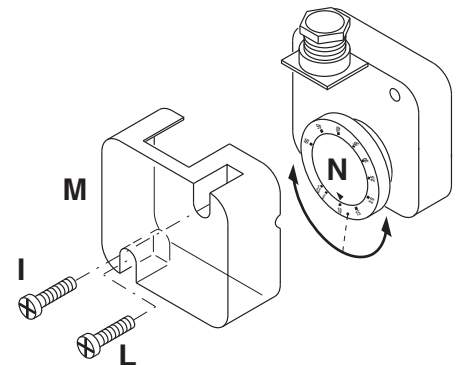
ATTENZIONE: Il pressostato eviterà che la pressione dell'aria non scenda sotto 85% del valore impostato, evitando così che il CO nei fumi superi 1%(10000 ppm).



Regolazione del pressostato gas di minima

Il pressostato gas di minima ha la funzione di controllare la pressione minima del gas prima della valvola gas permettendo al bruciatore di funzionare correttamente.

Svitare le viti I e L e togliere il coperchio M. Posizionare il regolatore N ad un valore pari al 60% della pressione nominale di alimentazione gas (es.: per gas metano press. nominale =20 mbar; regolatore posizionato al valore 12 mbar; per G.P.L. pressione nominale G30-G31 30/37 mbar regolatore posizionato al valore di 18 mbar). Rimontare il coperchio M.



Controllo funzionamento

Un controllo di sicurezza del monitoraggio fiamma dev'essere eseguito sia in occasione della prima messa in funzione, sia dopo aver eseguito revisioni o dopo un lungo periodo di inattività dell'impianto.

- Test di messa in moto con il rubinetto del gas chiuso:

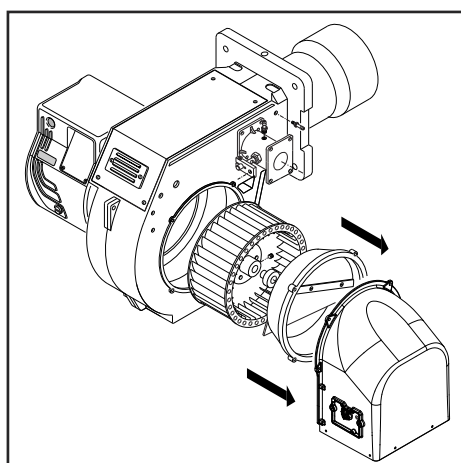
l'apparecchiatura di controllo dovrà segnalare il non funzionamento per mancanza gas o andare in blocco al termine del tempo di sicurezza.

Assistenza - Manutenzione

Gli interventi di assistenza sulla caldaia e sul bruciatore devono essere eseguiti esclusivamente da personale tecnico addestrato nel campo del riscaldamento. Al fine di garantire una regolare esecuzione degli interventi di assistenza, si consiglia al gestore dell'impianto di stipulare un contratto di assistenza.

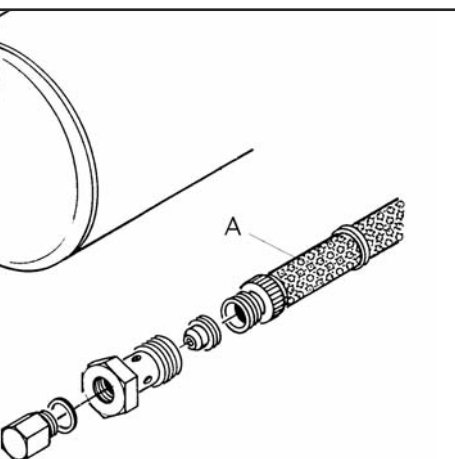
Attenzione

- Prima degli interventi di manutenzione e pulizia, disinserire la corrente.
- Il bocchaglio ed i componenti della testa possono essere caldi.



Interventi di manutenzione sul bruciatore

- Controllare i componenti di alimentazione gas (tubazioni, filtri, ecc.) ed i collegamenti per individuare perdite o segni di usura ed eventualmente sostituirli.
- Controllare la presenza di danni su connessioni elettriche e cavi di raccordo ed eventualmente sostituirli.
- Controllare il filtro gas, pulire e, all'occorrenza, sostituzione se necessario.
- Pulire ventola a carter e controllare che non presentino danni.
- Controllare e pulire i dispositivi di miscelazione.
- Controllare gli elettrodi di accensione ed eventualmente regolarli o sostituirli.
- Avviare il bruciatore, controllare i dati dei fumi di scarico ed eventualmente



correggere le regolazioni del bruciatore.

- Controllare le regolazioni dei pressostati aria e gas.
- Controllare la regolazione della rampa gas.
- Effettuare un controllo del funzionamento.

Estrazione del filtro

1. Spegner il bruciatore.
2. Allentare la vite B e scaricare una parte dell'olio contenuto nel barilotto affinché il livello del liquido scenda al di sotto di quello del filtro.
3. Svitare ed estrarre dalla propria sede il gambo del filtro A.
4. Dopo aver pulito il filtro, rimontare le parti come indicato in figura e reinserirlo nella propria sede.

E' buona norma sostituire tutte le guarnizioni del filtro e della valvola ogni qualvolta questi vengono smontati.

Si ricorda che, quando il bruciatore è in funzione, nel barilotto si ha una pressione di circa 23 bar e che quindi diventa molto pericoloso eseguire le precedenti operazioni con il bruciatore funzionante.

Assistenza - Possibili inconvenienti

Cause ed eliminazione delle anomalie

In presenza di anomalie, devono essere controllati i presupposti fondamentali per il corretto funzionamento dell'impianto:

1. C'è corrente?
2. C'è tutta la pressione del gas?
3. La valvola di intercettazione del gas è aperta?
4. Tutti gli apparecchi di regolazione e sicurezza come il termostato caldaia, il

dispositivo di sicurezza in caso di carenza d'acqua, il fincorsa, ecc., sono impostati?

Nel caso in cui, dopo il controllo dei punti suddetti, l'anomalia persistesse, usare le seguente tabella.

I componenti di sicurezza non devono essere riparati, bensì devono essere sostituiti con componenti riportanti lo stesso codice articolo.

Utilizzare esclusivamente pezzi originali del costruttore.

NB: Dopo ogni intervento controllare:

- i valori di combustione in condizioni di esercizio (porta del locale caldaia chiusa, copertura montata, ecc.).
- registrare i valori di combustione nel libretto di centrale.

Manutenzione

Controllo annuale

Il controllo periodico del bruciatore (testa di combustione, elettrodi, ecc.) deve essere effettuato da personale autorizzato una o due volte all'anno a secondo dell'utilizzo.

Prima di procedere al controllo per la manutenzione del bruciatore è consigliabile verificare lo stato generale del bruciatore e seguire le seguenti operazioni :

- Togliere tensione al bruciatore (togliere la spina).
- Chiudere il rubinetto di intercettazione gas.
- Togliere il coperchio del bruciatore, pulire la ventola e l'aspirazione dell'aria.
- Pulire la testa di combustione e controllare la posizione degli elettrodi.
- Rimontare i pezzi.
- Verificare la tenuta dei raccordi gas.
- Verificare il camino.
- Far ripartire il bruciatore.
- Controllare i parametri della combustione.

Prima di ogni intervento controllare:

- Che ci sia corrente elettrica nell'impianto e il bruciatore collegato.
- Che la pressione del gas sia corretta e il rubinetto di intercettazione del gas aperto.
- Che i sistemi di controllo siano regolarmente collegati. Se tutte queste condizioni sono soddisfatte, far partire il bruciatore premendo il pulsante di

sblocco.

- Controllare il ciclo del bruciatore.

Il bruciatore non si avvia:

- Controllare l'interruttore, i termostati, il motore, pressione gas.

Il bruciatore effettua la preventilazione ed al termine del ciclo va in blocco:

- Controllare la pressione dell'aria e la ventola.
- Controllare il pressostato aria.

Il bruciatore effettua la preventilazione e non accende:

- Verificare il montaggio e la posizione degli elettrodi.
- Verificare il cavo di accensione.
- Verificare il trasformatore di accensione.
- Verificare l'apparecchiatura di sicurezza.

Il bruciatore si accende e dopo il tempo di sicurezza va in blocco :

- Controllare fase e neutro che siano collegati correttamente.
- Controllare l'elettrovalvole del gas.
- Controllare la posizione della fotocellula e la sua connessione.
- Controllare la fotocellula.
- Controllare l'apparecchiatura di sicurezza.

Il bruciatore si accende e dopo qualche minuto di funzionamento va in blocco :

- Controllare il regolatore di pressione ed il filtro gas.

- Controllare la pressione del gas con un manometro.

- Controllare il valore di rivelazione (min 200 μ A).

Contenidos generales - índice - advertencias generales

Descripción	Datos técnicos	3
	Ámbito de funcionamiento	4
	Dimensiones	5
Contenidos generales	índice	34
	Advertencias generales	34
	Descripción del quemador	35
Función	Funciones generales de seguridad	36
	Equipo control llama y de seguridad Siemens	37
	Bomba combustible del quemador	38
Instalación	Esquema de alimentación del combustible	39
	Montaje del quemador	40
	Valvula gas piloto - Cuadro de mandos	41
	Conexión eléctrica - Comprobaciones previas a la puesta en servicio	42
Puesta en servicio	Ajuste de presión de la bomba	43
	Ajuste del quemador	44
	Ajuste de los presostatos de aire y gas	45
Mantenimiento	Conservación	46
	Posibles inconvenientes	47
Descripción	Tabla inyectores	62
	Esquemas eléctrico	63-64
	Piezas de recambio	65-67
Contenidos generales	Declaración de conformidad	68

Advertencia

Los quemadores MULTIFLAM se han concebido para la combustión de gas natural y de fuel pesado con bajas emisiones contaminantes. Los quemadores cumplen la norma EN 676, desde el punto de vista del diseño y del funcionamiento. La instalación, la puesta en marcha y el mantenimiento deben ser realizados exclusivamente por técnicos instaladores autorizados siguiendo las directivas y recomendaciones vigentes.

Descripción del quemador

Los quemadores MULTIFLAM son aparatos monobloque de dos etapas y con un funcionamiento completamente automático. La construcción especial del cabezal de combustión permite obtener una combustión con un índice de óxidos de nitrógeno débil y un coeficiente de rendimiento elevado. Los valores de las emisiones corresponden a la clase 2, tal como la define la EN676 (NO_x<120mg/kWh).

Según la geometría del hogar, la carga del mismo y el sistema de combustión (caldera de tres pasos de humos, caldera con hogar de fondo ciego), pueden obtenerse valores de emisiones diferentes.

Son adecuados para todo tipo de generadores de calor que cumplan la norma EN 303 o para generadores-

pulsadores de aire caliente fabricados según la norma DIN 4794 o DIN 30697, en su intervalo de potencias. Cualquier otro uso debe ser objeto de una solicitud de autorización a Ecoflam. Para un funcionamiento completamente seguro, respetuoso con el medio ambiente y económico desde el punto de vista energético, se deben tener en cuenta las siguientes normas:

EN 267

Quemadores de gasóleo de aire soplado.

EN 676

Quemadores de gas de aire soplado

EN 226

Conexión de quemadores de gasóleo y de gas de aire soplado a un generador de calor.

EN 60335-1, -2-102

Seguridad de los dispositivos eléctricos para un uso doméstico, normas especiales para dispositivos de combustión de gas.

Condiciones de instalación

El quemador no se debe poner en servicio en locales expuestos a vapores agresivos (por ejemplo laca para el cabello, tetracloroetileno, tetracloruro de carbono), con gran cantidad de polvo o alto grado de humedad del aire (por ejemplo en

lavanderías). Es necesario que el local de instalación disponga de una ventilación adecuada para garantizar las condiciones para una buena combustión. Las disposiciones locales pueden indicar requisitos diferentes.

No quedan cubiertos por la garantía los daños resultantes de las siguientes causas:

- uso inadecuado.
- montaje defectuoso, instalación realizada por el comprador o un tercero, uso de piezas no originales.

Entrega de la instalación y consejos de uso

El instalador del sistema debe facilitar al usuario de la misma, como muy tarde en el momento de la entrega, las instrucciones de uso y mantenimiento. éstas deben conservarse en un lugar bien visible de la sala de calderas. Deben contener la dirección y número de teléfono del servicio de atención al cliente más cercano.

Advertencia para el operador

Al menos una vez al año, un técnico especialista deberá revisar la instalación. Para garantizar que dicha revisión se realice de una manera regular, es muy recomendable suscribir un contrato de mantenimiento.

Los quemadores Ecoflam se han diseñado y construido de acuerdo con las normativas y directivas corrientes. Todos los quemadores responden a las normativas sobre la seguridad y sobre el ahorro energético en el límite del campo de trabajo declarado. La calidad del producto está garantizada por el sistema de certificación según la norma ISO 9001:2008.



Contenidos generales - Descripción del quemador

MULTIFLAM 200.1 PAB TC SGT 230-400-50

NOMBRE

MULTIFLAM quemadore mixtos (Gas / fuel pesado)

MODELO (Gas: kW; Gasóleo: kg/h)

MULTIFLAM 200.1 189 kg/h - 2150 kW

EMISIONES

- Standard Clase 2 - GAS EN676 (<120 mg/kWh)

TIPO DE OPERACIÓN

PAB 2 llama
 PR 2 llama progresiva mecánico
 MD 2 llama progresiva mecánico con PID

TIPO DE CABEZA

TC Cabeza corta
 TL Cabeza larga

COMBUSTIBLE

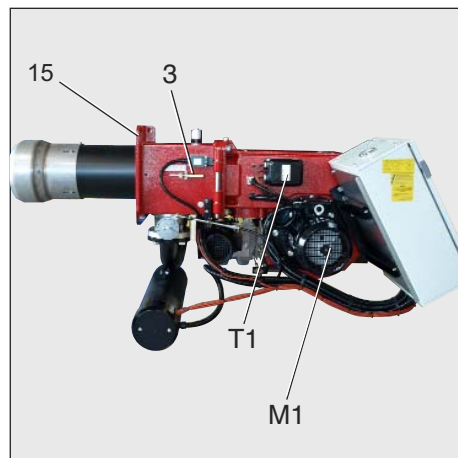
Gas Natural
 LPG Gas Propano
 BIOGAS Biogas

EQUIPMENT

SGT Rampa de gas separado

TENSION DE ALIMENTACIÓN

230-400-50 230-400 Volt, 50 Hz



- A1 SIEMENS cajetín de control y de seguridad gas.
- F6 Presóstato aire
- M1 Motor eléctrico
- T1 Transformador
- Y10 Servomotor
- 3 Regulación del aire en la cabeza combustión.
- 5 Fusión
- 8 Tubo de illama
- 15 Brida del quemador
- 16 Botón de desbloqueo
- 113 Toma de aire

Embalaje

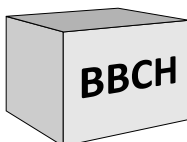
El quemador se entrega con un sistema modular de embalaje (cajas separadas) es decir, separadas set/box:

BBCH: Quemador completo con cabezal de combustión y brida.

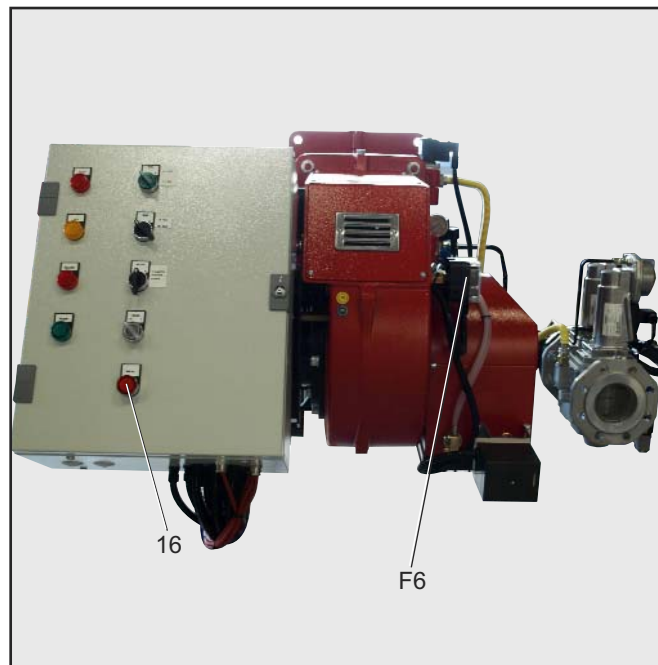
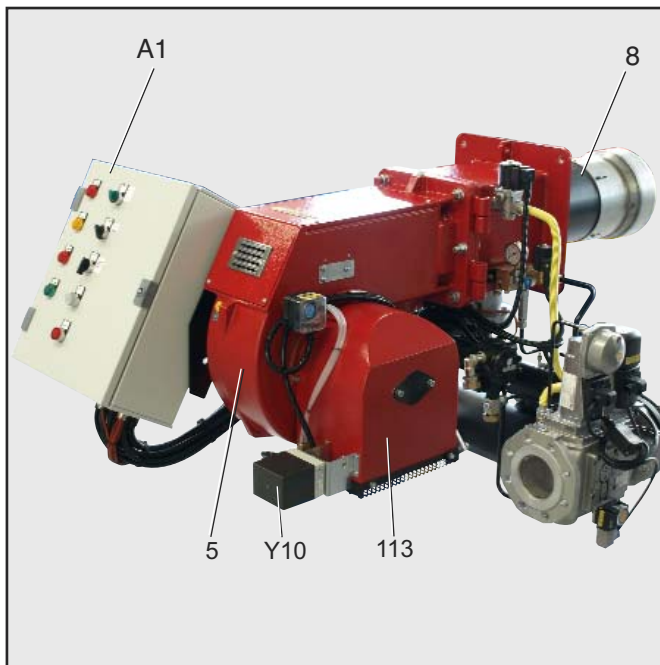
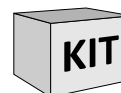
- 1 bolsa :
 - manual técnico multilingüe.
 - llave hexagonal.
 - tornillo, tuercas y arandelas.

GT: Rampa de gas por separado.

KIT & ACS disponibles y entregados por separado.



KIT & ACS disponibles y entregados por separado



Función - Funciones generales de seguridad

Descripción del funcionamiento

Durante la primera activación, tras un corte de tensión o en caso de parada de seguridad tras una interrupción del suministro de gas o tras una parada de 24 horas, comienza un tiempo de preventilación de 30 s.

Durante el tiempo de preventilación:

- se vigila la presión de aire inyectado.
- control de la presencia de eventuales señales de llama anómalas.

Transcurrido el tiempo de preventilación

- el encendido entra en el circuito.
- la electroválvula principal y de seguridad está abierta.
- arranque del quemador.

Vigilancia

La llama se vigila por medio de una célula ultravioleta. El quemador indicará un fallo, si la célula no detecta la luz de la llama.

Funciones de seguridad

- Si no se produce llama al arrancar el quemador (salida de gas), el quemador se interrumpirá transcurrido el tiempo de seguridad de 3 segundos y la válvula de seguridad se cierra.
- En caso de fallar la llama durante el funcionamiento, la alimentación de gas se interrumpe en el espacio de un segundo. Se inicia una nueva puesta en marcha. Si el quemador se pone en marcha, continúa el ciclo de funcionamiento. En caso contrario se produce un bloqueo de seguridad.

- En caso de falta de aire durante la preventilación o el funcionamiento, se produce el bloqueo de seguridad.
- En caso de falta de gas, el quemador no se pondrá en marcha o se detendrá.

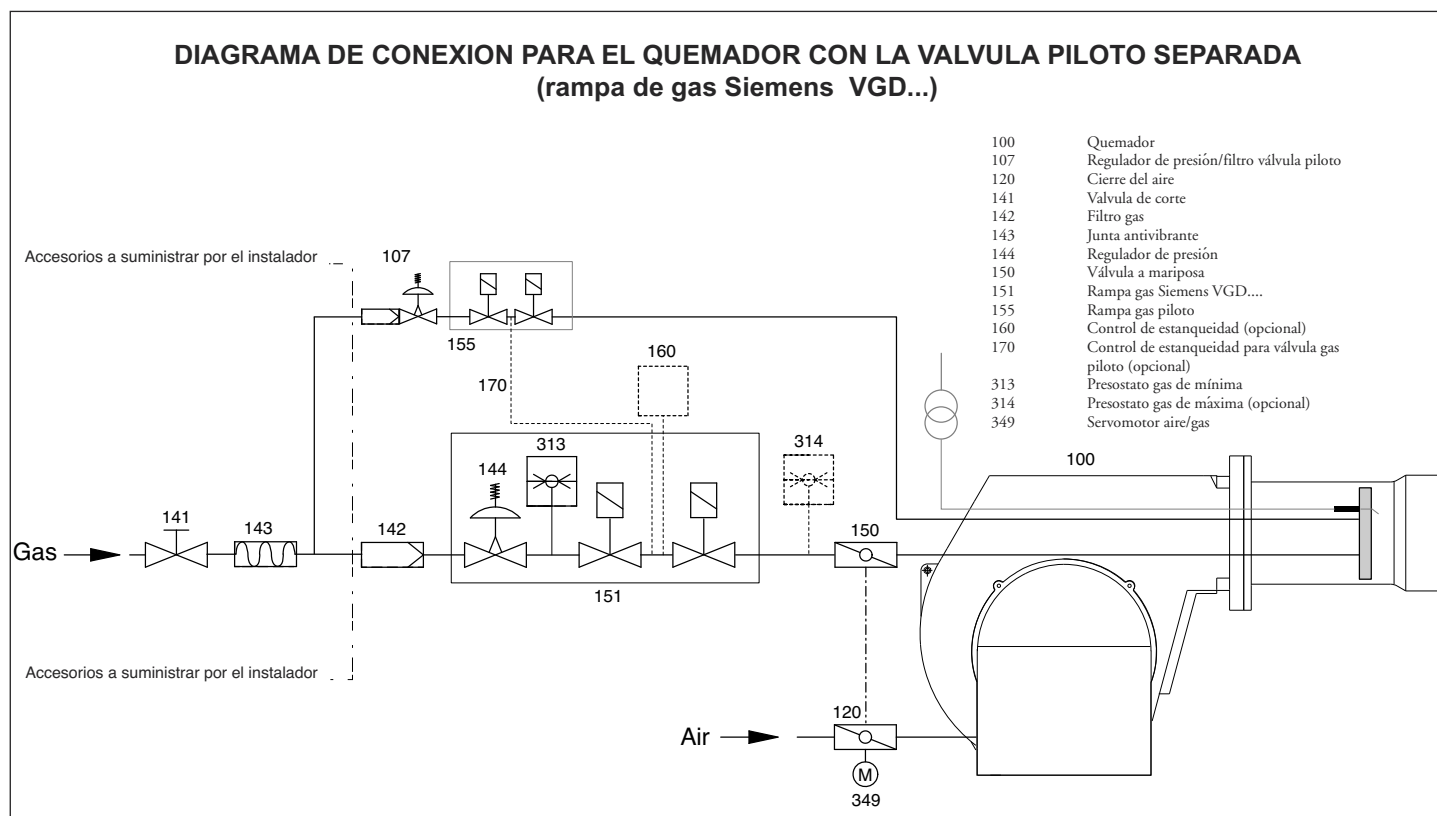
Parada de ajuste

- El termostato de regulación interrumpe la solicitud de calor.
- Las válvulas de gas se cierran.
- La llama se apaga.
- El motor de ventilación se detiene.
- El quemador está listo para funcionar.

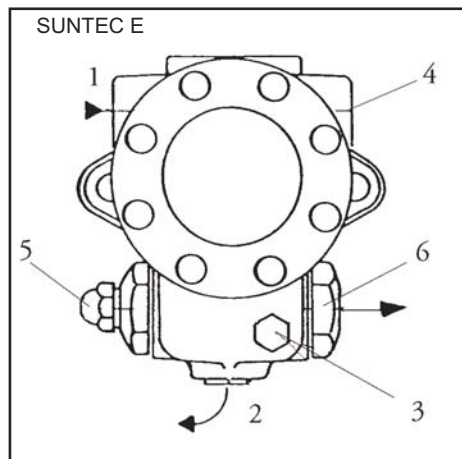
Operación

Una vez formada la llama tiene lugar la liberación de la regulación de la potencia. Con ello se ha alcanzado la posición de servicio del quemador. A partir de este momento el regulador regula el quemador, automáticamente, entre las posiciones de carga parcial y plena carga. Según el calor requerido, el accionamiento regulador eléctrico recibe la instrucción de abrir o cerrar, a través del regulador, y aumenta o reduce la cantidad de gasóleo (gas) y de aire. A través de esta regulación combinada se reajustan la válvula reguladora de gasóleo (gas) y la válvula de aire, de modo que la cantidad de gasóleo (gas) se regula en combinación con el aire. La regulación del quemador es posible en régimen suave entre dos escalones o continuamente, por medio de un regulador correspondiente. La regulación continua permite ajustar el

quemador a cualquier punto entre carga parcial y plena carga. La desconexión del quemador tiene lugar siempre a partir de la posición de carga parcial. En estado parado del quemador se halla cerrada la válvula de aire, para impedir de esta manera que fluya una corriente de aire frío por el espacio de combustión, el cambiador de calor y la chimenea. Las pérdidas internas por enfriamiento se reducen a un mínimo.



Función - Bomba del quemador



- 1 conexión de aspiración.
- 2 conexión de retorno.
- 3 conexión manómetro.
- 4 conexión vacuómetro.
- 5 ajuste de la presión de gasóleo.
- 6 conexión presión.

La bomba utilizada en el quemador de gasóleo es un bomba de engranajes autocebadora, que se tiene que conectar con sistema bitubo; es necesario introducir el filtro en el tubo de aspiración. La bomba dispone de un filtro de aspiración y de un regulador de presión del gasóleo. Antes de la puesta en funcionamiento del aparato, es necesario conectar los manómetros para medir la presión y la depresión.

NB: antes de poner en marcha el quemador, controlar que el retorno se encuentre abierto. Una eventual obstrucción puede provocar desperfectos en la guarnición de la bomba.

INFORMACIÓN TÉCNICA

Información general

Montaje	Brida de montaje EN 225.
Roscas de conexión	cilíndrici según normas ISO228/1
Toma y retorno	G 1/2"
Salida de inyector	G 1/4"
Entrada del manómetro	G 1/8"
Entrada del vacuómetro	G 1/2"
Función de la válvula	Regulación de la presión-no corte
Filtro	superficie útil : 45 cm grado de filtración: 550 µm
Eje	Ø 11mm de común acuerdo con standard EN 225.
Tapón de derivación	Introducido en el punto de retorno para el sistema de dos tuberías.; Debe quitarse con una llave Allen de 3/16" para el sistema de una tubería.
Peso	4 kg

Información hidráulica

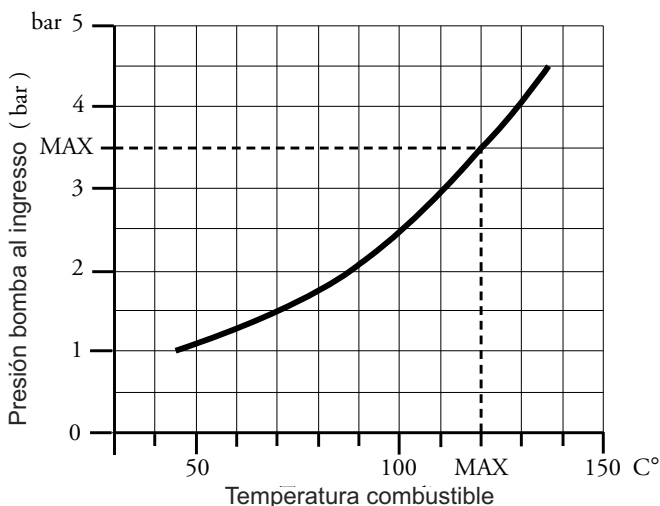
Rangos de presión de inyector	14 - 30 bar
Configuración de la presión de suministro	20 bar
Viscosidad de operación	3 - 75 cSt
Temperatura del aceite	0 - 130°C max. en bomba
Presión de entrada	instalaciones a gasoleo: 0,45 bar máx. de vacío para evitar la separación del aire y el gasoleo instalaciones a fuel pesado: 3,5 bar máx.
Presión de retorno	instalaciones a gasoleo: 3,5 bar máx. instalaciones a fuel pesado: 3,5 bar máx.
Velocidad nominal	3600 gpm max.
Torsión (a 40 gpm)	0,3 N.m

Elegido del precalentador

Precalentador	Ø 12 mm
Conexión de la conexión	de común acuerdo con EN 50262
Caudal	50-80 W

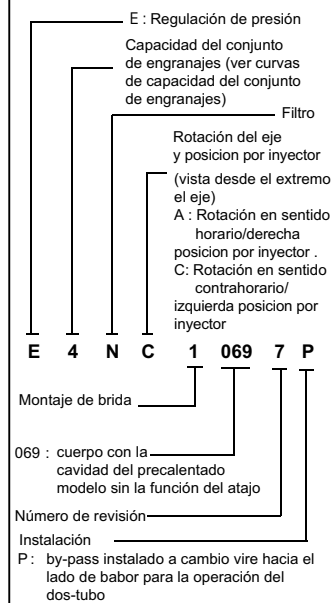
Diagrama presión de la bomba / Temperatura combustible

La gasificación de fracciones volátiles en el fuel pesado precalentado, resulta ser la causa principal del desgaste prematuro de la bomba de alimentación. Para evitar este problema, regular la presión de la bomba según el diagrama abajo.

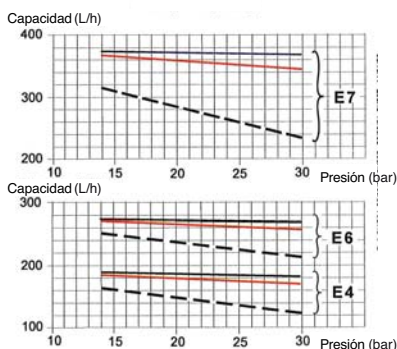


DATOS DE LA BOMBA

(No todas las combinaciones están disponibles. Consulte a su representante de Suntec).

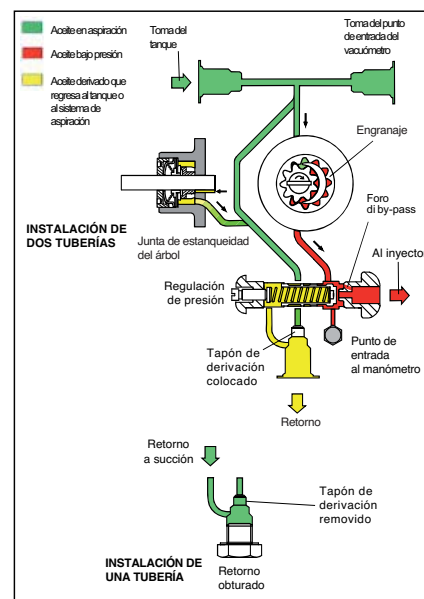


Capacidad de la bomba

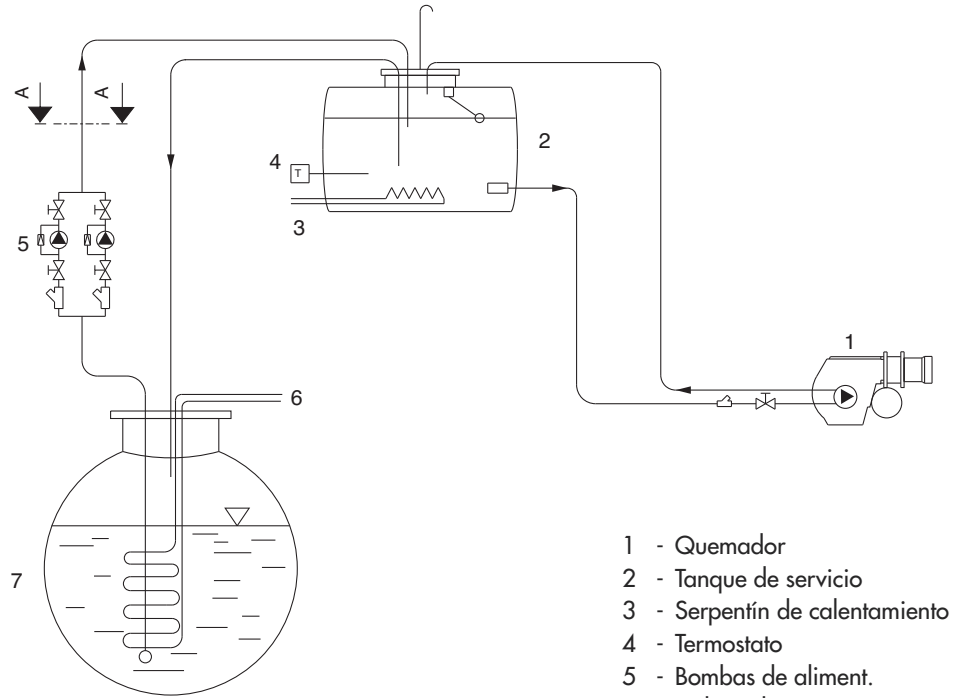


Viscosidad = — 200 cSt
— 20 cSt
- - - 5 cSt Velocidad = 2850 o5./MMH

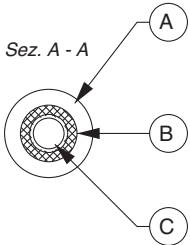
Los datos mostrados tienen en cuenta un margen del desgaste. Hace no de gran tamaño la bomba al seleccionar capacidad del engranaje.



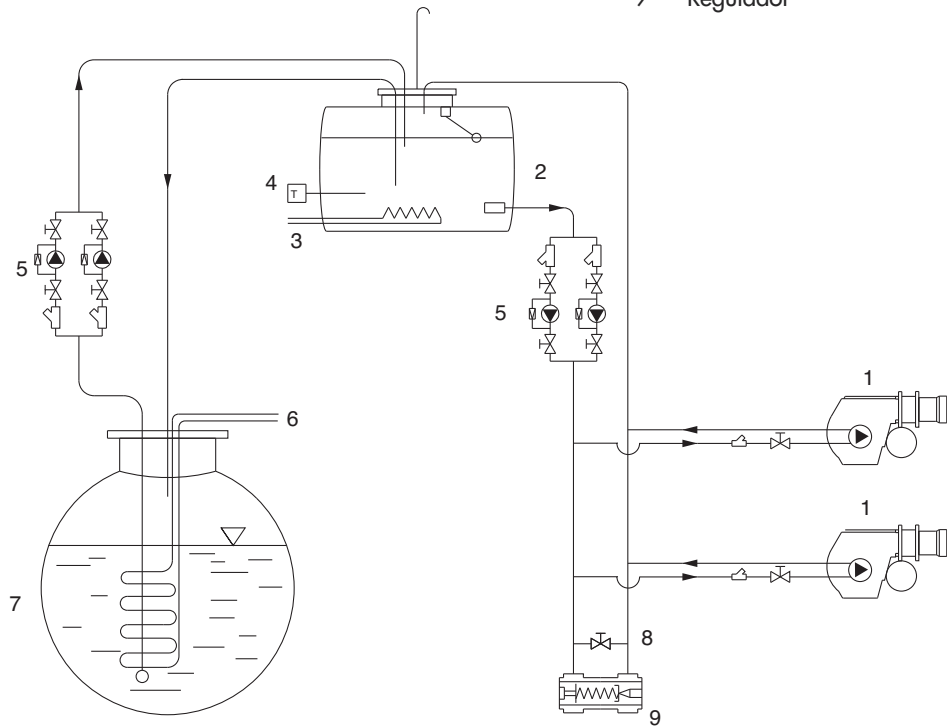
Instalación - Esquema de alimentación del combustible



- 1 - Quemador
- 2 - Tanque de servicio
- 3 - Serpentin de calentamiento
- 4 - Termostato
- 5 - Bombas de aliment.
- 6 - Calentador
- 7 - Tanque principal
- 8 - By-pass
- 9 - Regulador

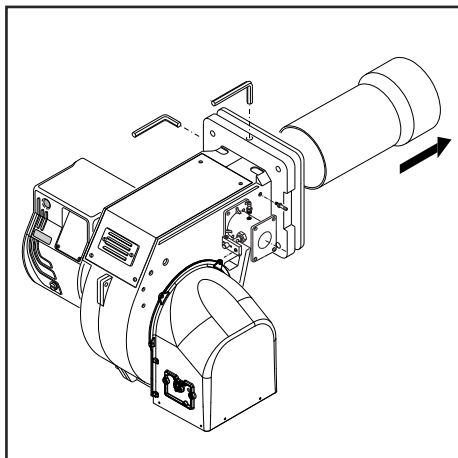
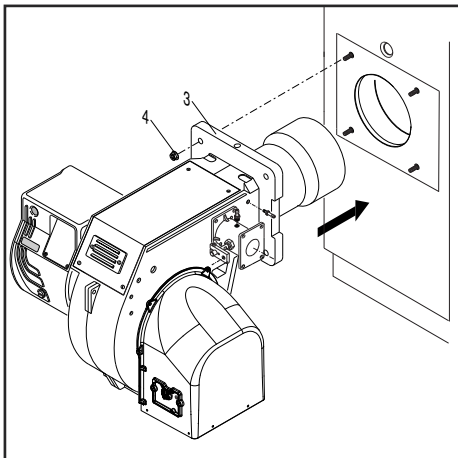


Leyenda
 A - camisa aislante
 B - Resistencia eléctrica
 C - Tubo alim. combust.



IMPORTANTE: Toda la tubería de alimentación es calentada (ver a la secc. A-A)

Instalación - Montaje del quemador



Montaje del quemador

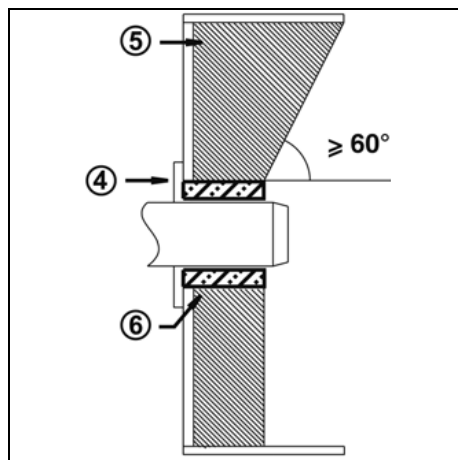
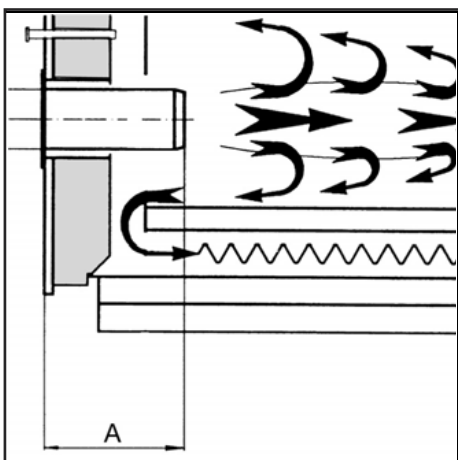
El quemador se fija a la caldera.

Montaje :

- Fijar la brida de encaje 3 a la caldera con los tornillos 4.

Desmontaje :

- Afloje los tornillos y retire el quemador.



Profundidad de montaje del tubo del quemador y guarnecido de albañilería

Para los generadores sin pared delantera enfriada y en ausencia de indicaciones contrarias del fabricante de la caldera, es necesario realizar un guarnecido de albañilería o un aislamiento (5) según la ilustración contigua.

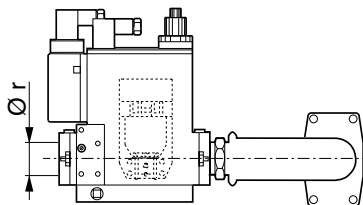
El guarnecido de albañilería no debe sobresalir del borde delantero del tubo de llama y su concicidad no debe ser superior a 60°. El hueco de aire (6) debe rellenarse con un material de aislamiento elástico y no inflamable.

Conducto de humo

Con el fin de evitar posibles emisiones acústicas desagradables, se recomienda evitar las piezas de conexión con ángulos rectos durante la conexión de la caldera a la chimenea.

Línea alimentación del gas

En la instalación de la línea de alimentación y de la rampa del gas es necesario cumplir con las disposiciones de la EN676. Se tiene que instalar el Kit obligatorio EN676. El instalador tendrá que ocuparse de montar ulteriores accesorios para satisfacer eventuales normativas locales.



Disposiciones de tipo general para la conexión del gas

- La conexión de la rampa del gas a la red del gas tiene que efectuarla exclusivamente un técnico experto autorizado.
- La sección del tubo del gas tiene que prepararse de manera que la presión de alimentación del gas no pueda disminuir por debajo del valor establecido.
- Se tiene que montar al inicio de la rampa

del gas una válvula de cierre manual (no suministrada).

Conexión del gasóleo

El filtro se tiene que montar de forma que se garantice una colocación correcta del tubo flexible.

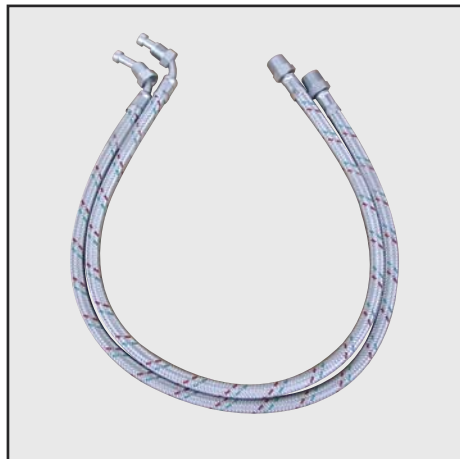
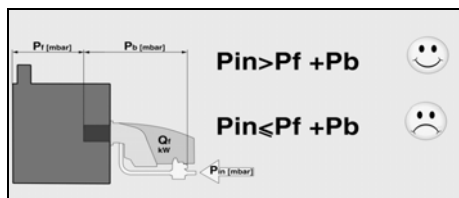
Los tubos flexibles no pueden estar doblados.



LEYENDA

Pf: Controresión en cámara de combustión
Pb: Presión gas quemador (cabeza de combustión + rampa de gas).

Pin: Presión mínima de suministro

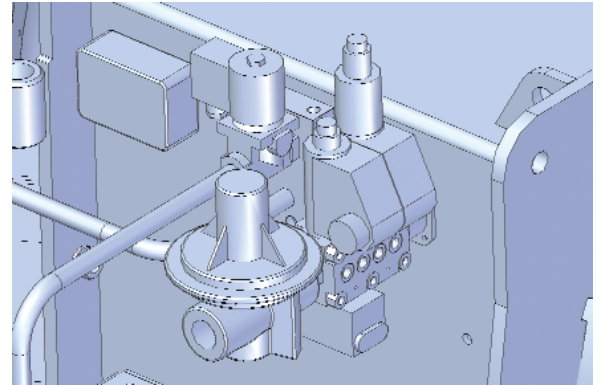


Instalación - Valvula gas piloto - Cuadro de mandos

CONEXIÓN DEL PILOTO DE LA RAMPA DE GASES

El piloto de la rampa de gases ya está instalado en el quemador y deberá conectarse al suministro de gas, preferiblemente con tuberías flexibles. El piloto de la rampa de gases está compuesto por 2 válvulas de seguridad y 1 regulador del gas y filtro. Presión máx. de entrada, 1 bar.

ATENCIÓN: El piloto de la rampa de gases debe conectarse de conformidad con el dibujo de la línea del gas.



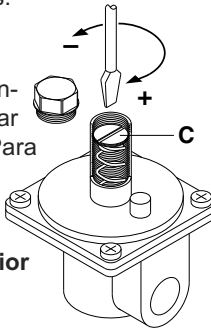
AJUSTE DE LAS VÁLVULAS DE LOS GASES

Nota : las válvulas piloto están pre-ajustadas de fábrica. Para aumentar o disminuir el flujo del gas, actuar sobre el regulador del gas.

REGULACIÓN DEL REGULADOR DE PRESIÓN

El regulador de presión, con filtro incorporado, debe ser instalado para estabilizar la presión del gas en salida y evitar que impurezas eventuales lleguen a la válvula del gas. Para aumentar la presión, quitar la tapa del regulador y atornillar el tornillo C; para reducirla, destornillar el tornillo C, luego remontar la tapa.

Nota: la presión del gas en ingreso no debe ser superior a la presión máx. especificada.



KITTC- Control de estanqueidad

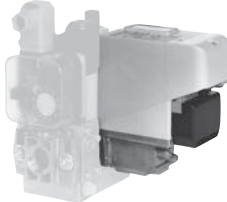


El control de estanqueidad se suministra como un kit y debe ensamblarse dentro de la rampa de gases principal según las instrucciones del manual de la rampa de gases.

KITPRES... Conjunto presóstato gas de máxima presión

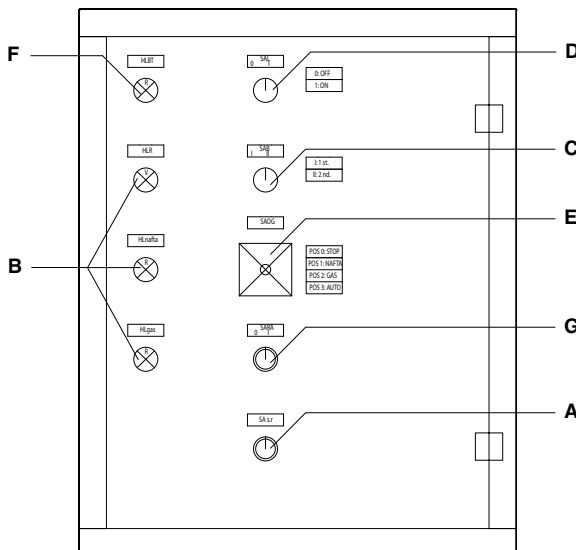
El presóstato gas de máxima presión se suministra como un Kit y debe ensamblarse en la rampa tren principal de gases según las instrucciones del manual de la rampa de gases.

Regulador KITMD-RWF50 PID

Todos los quemadores progresivos pueden girarse modulando con la instalación del PID que regula la salida combinada con una sonda.

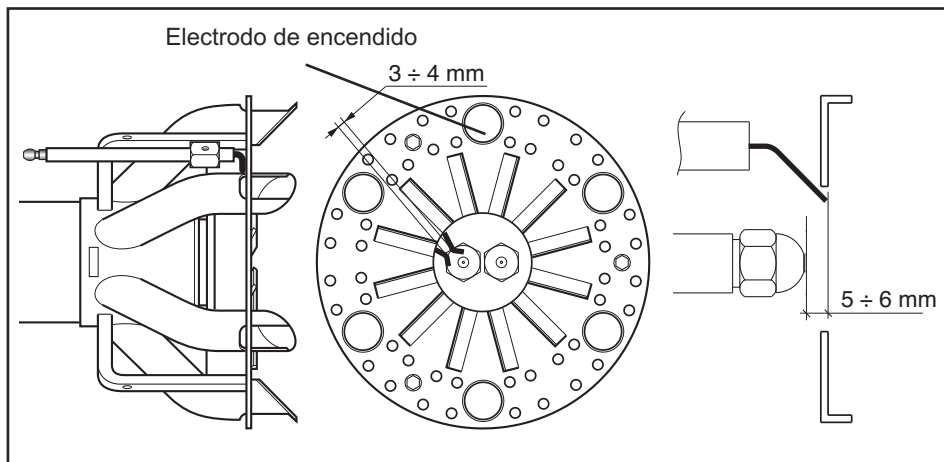
Control de estanqueidad	Kit Regulador	Presóstato gas de máxima
KITTC- Modelo	KITMD-RWF50	KITPRES50
Obligatorio > 1200 kW	Sonda -...	KITPRES150
		

Cuadro de mandos



- A - pulsador de desbloqueo
- B - Indicador del funcionamiento rojo(Fuel pesado) rojo(gas) verde(resistencia)
- C - conmutador:
I = potencia mínima
II = potencia máxima
- D - interruptor I / O
- E - conmutador:
0 = STOP
1 = funcionamiento a Fuel pesado
2 = funcionamiento a Gas
3 = automatic
- F - Indicador de bloqueo
- G - interruptor resistencias

Instalación - Conexión eléctrica - Comprobaciones previas a la puesta en servicio



Posición del electrodo

Comprobar siempre la posición de los electrodos tras su sustitución o el montaje del KIT LPG. Una posición errónea puede provocar problemas de encendido.

Controlli da eseguire prima della messa in funzione

Conviene controlar los siguientes puntos antes de la puesta en servicio.

- Montaje del quemador de conformidad con las presentes instrucciones.
- Ajuste previo del quemador según las indicaciones del cuadro de ajuste.
- Ajuste de los dispositivos de combustión.
- El generador de calor debe estar listo para funcionar; deben respetarse sus recomendaciones de utilización.
- Todas las conexiones eléctricas deben realizarse correctamente.
- El generador de calor y el sistema de calefacción deben estar lo suficientemente llenos de agua; las bombas de circulación deben funcionar.
- El regulador de temperatura, el regulador de presión, la protección contra la falta de agua y el resto de dispositivos de limitación y de seguridad que puedan encontrarse presentes están conectados y operativos.
- La chimenea debe estar despejada y el dispositivo de aire adicional, si se encuentra instalado, en funcionamiento.
- Se debe garantizar un aporte suficiente de aire fresco.
- La solicitud de calor debe estar presente.
- Tiene que estar disponible una presión de gas suficiente.
- Los conductos de combustible deben estar montados según las reglas del oficio, su estanqueidad comprobada y estar purgados.
- Debe existir un punto de medición conforme a las normas; el conducto de humos hasta el punto de medición debe ser estanco, de tal forma que los resultados de medición no se falseen.

Conexión eléctrica

La instalación eléctrica y los trabajos de conexión debe realizarlos exclusivamente por personal autorizado.

Deben seguirse las recomendaciones y las directivas vigentes.

El equipo de alimentación tiene que disponer de un interruptor diferencial de tipo A.

Respetar obligatoriamente las disposiciones y las directivas en vigor, además del esquema eléctrico suministrado con el quemador!

- Compruebe si la tensión eléctrica de alimentación se corresponde con la tensión de funcionamiento indicada en el esquema eléctrico y en la placa de características.

Fusible de la caldera : 5 A

Conexión eléctrica mediante conectores

El quemador debe poder desconectarse de la red por medio de un dispositivo de corte unipolar acorde con la normativa vigente. El quemador y el generador de calor (caldera) están conectados entre sí por medio de una conexión a la regleta de bornes del panel (fig.1).

Conexión de la rampa del gas

Efectuar la conexión de la rampa del gas con las tomas situadas en el quemador.

La configuración estándar de los motores es trifásica 400 V.

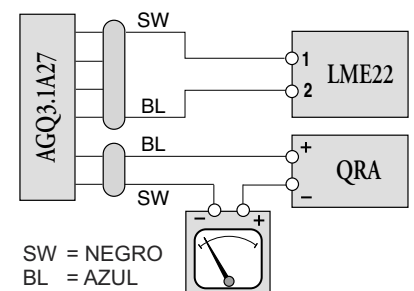
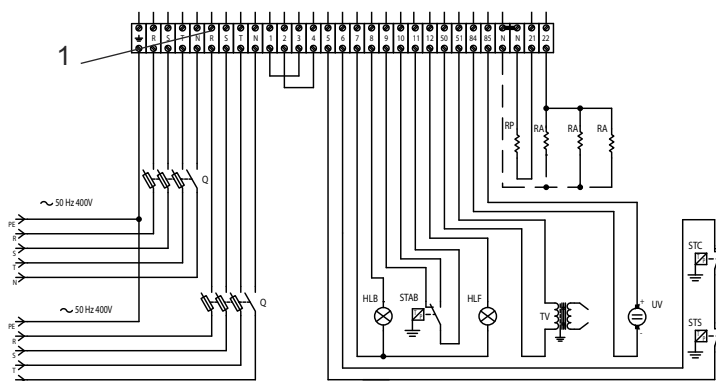
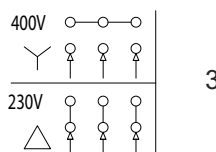
Los quemadores con motores eléctricos de potencia inferior o igual a 7,5 kW pueden ser adaptados para la alimentación de 220-230 V (ver

instrucciones en el reverso); para motores de potencias superiores, solamente se admite la alimentación trifásica a 380-400 V. Si se necesita un quemador con alimentación a 220 V, mencionarlo específicamente en el pedido.

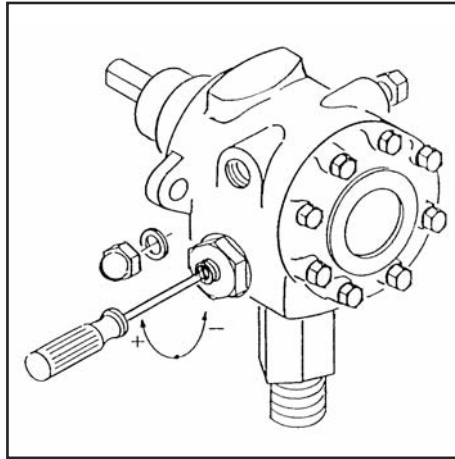
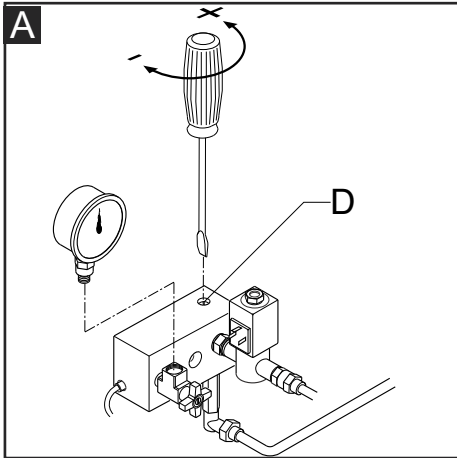
Instrucciones para la alimentación eléctrica a 220-230 V de motores de 7,5 kW o menos

Los quemadores Ecoflam con motores de 7,5 kW o menos pueden ser adaptados para ser conectados a una alimentación eléctrica de 220-230 V; para ello, proceder de la manera siguiente:

1. cambiar la conexión dentro de la caja de alimentación del motor eléctrico, de estrella a delta (ver figura 3);
2. cambiar el ajuste del relé térmico, tomando como referencia los valores de absorción indicados en la placa de datos del motor. De ser necesario, reemplazar el relé térmico con otro de escala adecuada. Esto no es posible con motores de más de 7,5 kW. Para más información, póngase en contacto con su persona de referencia en Ecoflam.



Puesta en servicio - Ajuste de presión de la bomba



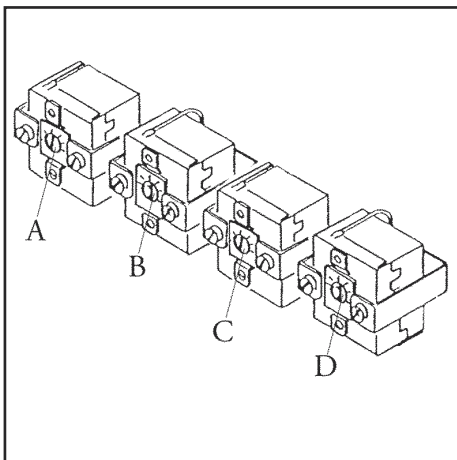
CUIDADO: Para un correcto funcionamiento de la bomba, comprobar los datos siguientes :

Bomba : SUNTEC E4NC 1069 / SUNTEC E6NC 1069

Temperatura máxima del fuel pesado a la bomba: Max. 120 °C

Presiones máximas admisibles: Max. 3,5 bar en ingreso.

A : Regulación de la presión en fase de prebarrido.



Regulación de los termostatos fuel pesado

El termostato de trabajo de las resistencias tiene que ser regulado a 120 °C y el termostato de seguridad a 160 °C. Estas regulaciones pueden ser ligeramente modificadas según el tipo de combustible y para instalaciones especiales.

- A - Termostato de seguridad (160° C).
- B - Termostato de trabajo (120° C).
- C - Termostato de nivelación (130° C).
- D - Termostato de mínima fuel pesado (90° C).

Cubeta para termostato de nivelación

Cubeta para termómetro

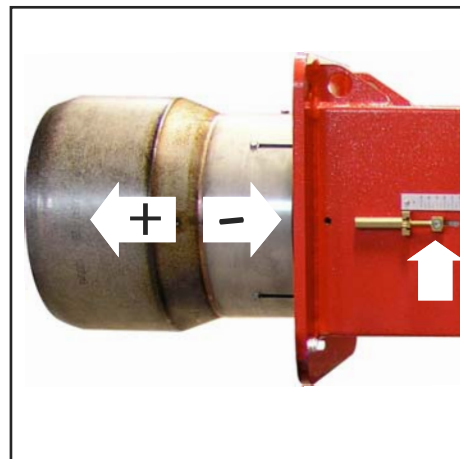
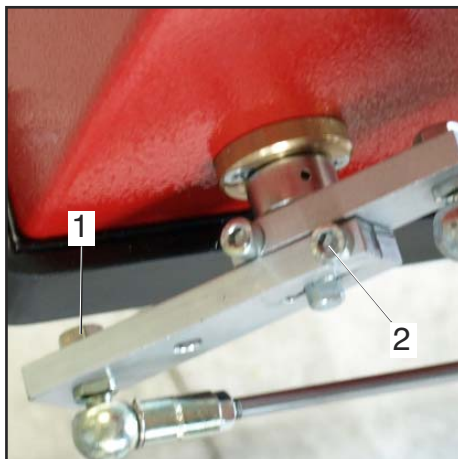
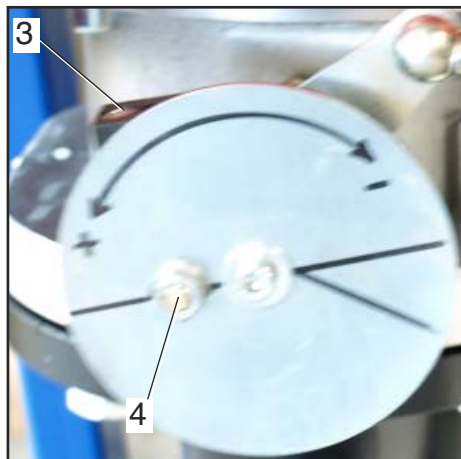
Cubeta para termostato de seguridad



Cubeta para termostato de trabajo

Cubeta para termostato de mínima

Puesta en servicio - Ajuste del quemador



Quemadores versiones PAB ensamblaje y regulación de la rampa de gas

Montar la rampa de gas fijando los tornillos de la junta y teniendo cuidado de colocar correctamente la posición de la guarnición de estanqueidad. Conectar electrónicamente la rampa gas a través de el enchufe de 6 poli.

Encender el quemador (en fábrica se ha realizado ya un precalibrado de máxima) y verificar la estanqueidad de los raccords de gas en la instalación. Para adecuar el quemador a la efectiva potencia de la caldera proceder como sigue:

Alta llama

1. Llevar el quemador a alta llama (la posición de la cerradura de aire debe estar a 75° (apertura máxima), para regular el caudal del aire trabajar sobre la posición de la cabeza de combustión. Solo en particulares casos es necesario reducir el aire en alta llama cerrando la aspiración.

2. La posición de la tuerca de gas deberá ser inferior a 90° (ej 85°, es importante no superar los 90° para obtener una combustión óptima durante el pasaje de alta a baja llama). Corregir si hace falta esta posición tocando los tornillos "1" después de haber ajustado la tuerca "2"

3. Regular el caudal de gas en alta llama a través del estabilizador, o en la válvula de gas regulable.

Baja llama

4. Escoger la posición del primer estadio sobre el servomando (normalmente comprendida entre 10° y 30°) en base a la potencia de carga reducida necesaria, y conmutar en baja llama.

5. Regular el caudal del gas para obtener la combustión óptima, variando la posición de la válvula a través del tornillo "3", después de haber ajustado la tuerca "4".

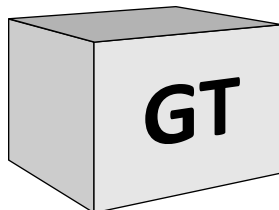
Operaciones siguiente

6. Llevar el quemador a alta llama y eventualmente reposicionar la válvula como esta indicada en el punto 2.

7. Si es necesario, repetir más veces las

operaciones descritas en los puntos 5 y 6 para obtener las posiciones exactas de las válvulas, tanto en alta como en baja llama.

8. Fijar tuercas.



Ajuste de la válvula del gas

Regular las válvulas del gas según las instrucciones del manual de la rampa del gas.

Servomotor SQN 30 151A2700

Remover la tapa para acceder a las levas de regulación. La regulación de las levas tiene que ser efectuada con su apropiada llave de suministro. Descripción:

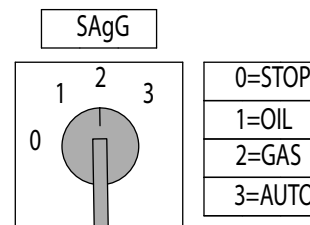
- I - Leva de regulación apertura del cierre del aire en 2a llama (potencia máx.).
- II - Leva de regulación de la posición del cierre al apagado (cierre).
- III - Leva de regulación de la posición de apertura en 1a llama (potencia mín.).
- V - Leva del consentimiento apertura de la electroválvula de 2a llama.

(5): BOTÓN DE DESBLOQUEO MANUAL.

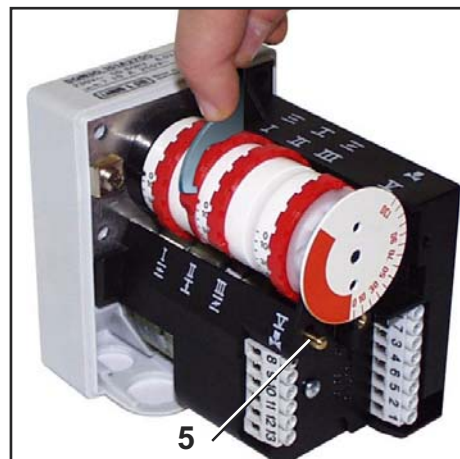
NOTA : La leva V (de consentimiento del apertura de la electroválvula de 2a llama) tiene que ser regulada en una posición intermedia entre la de la 1a llama y la de la 2a (bajo un ángulo cerca de 5° superior a lo de la posición de la 1a llama).

Configuración de la cabeza de combustión

La cabeza de combustión es preseleada al 50% en fábrica. La configuración totalmente abierta permite alcanzar la potencia total del quemador y totalmente cerrada para lograr la potencia mínima del quemador. La posición óptima depende de la salida que se necesita obtener pero la configuración predeterminada deberá ser modificada sólo cuando no se pueda alcanzar el valor de combustión sugerido ajustando el flujo de aire en la llama máxima.



Atención: en caso de instalación sobre caldera, respetar la temperatura mínima de los gases de combustión según las indicaciones del fabricante de la caldera y según los requisitos del sistema de escape de dichos gases, para evitar la formación de condensación.



Existe riesgo de deflagración:

controle constantemente el CO, el CO2 y las emisiones de humo durante el ajuste. En caso de formación de CO, optimice los valores de combustión. El contenido de CO no debe ser superior a 50 ppm.

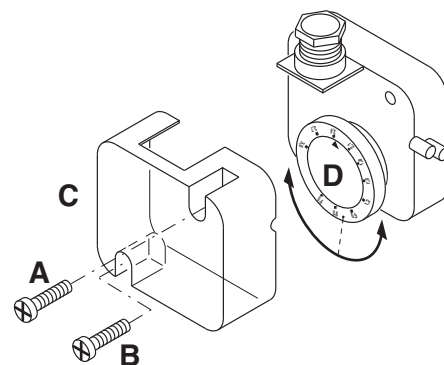
Puesta en servicio - Regulación de presóstati aire y gas

Regulación del presóstato aire

El presóstato aire controla la presión de ventilación de aire.

Destornillar los tornillos A y B y quitar la tapa C. Después de la calibración del aire y del gas, con el quemador en función, girar lentamente en el sentido de las agujas del reloj la abrazadera D hasta el tope de bloqueo del quemador. Leer el valor indicado en la abrazadera y reducirlo un 15%. Remontar la tapa C y atornillar los tornillos A y B.

ATENCIÓN: el presostato evitará que la presión del aire disminuya por debajo del 85% del valor configurado, evitando de esta forma que el CO en los humos supere el 1% (10000 ppm).

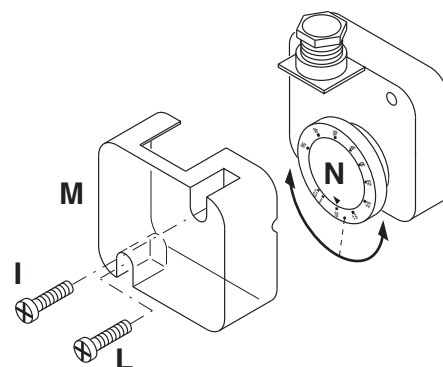


Regulación del presóstato gas de mínima

El presóstato gas de mínima tiene la función de verificar que la presión de gas antes de la rampa de gas tenga la mínima presión para asegurar que el quemador funcione correctamente.

Destornillar los tornillos I y L y quitar la tapa M. Posicionar el regulador N a un valor igual al 60% de la presión nominal de alimentación el gas (ej. para gas nat. con pres. nom. de alim. de 20 mbar, regulador regulado al valor de 12 mbar; para G.P.L. con pres. nom. de alim. G30-G31 30/37 mbar, regulador regulado al valor 18

mbar). Remontar la tapa M y atornillar los tornillos I y L.



Control de funcionamiento

Es necesario efectuar un control de seguridad del seguimiento de la llama, tanto con motivo de la primera puesta en función como tras haber efectuado una revisión o tras un largo periodo de inactividad del equipo.

- Prueba de puesta en marcha con el grifo del gas cerrado: el equipo de control tendrá que señalar el no funcionamiento por ausencia de gas o bloquearse al final del tiempo de seguridad.

Mantenimiento - Conservación

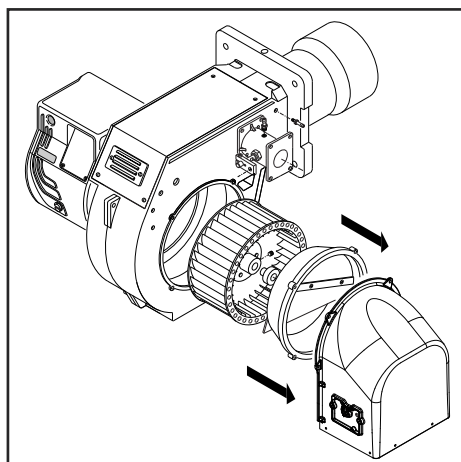
Las operaciones de mantenimiento de la caldera debe llevarlas a cabo un técnico especialista en calefacción. Para garantizar la realización anual de los trabajos de mantenimiento, se recomienda firmar un contrato de mantenimiento.

Atención

- Antes de realizar cualquier intervención de mantenimiento y limpieza, cortar el suministro eléctrico.
- La tobera y los componentes del cabezal pueden estar calientes.

Control de las temperaturas de los gases de combustión

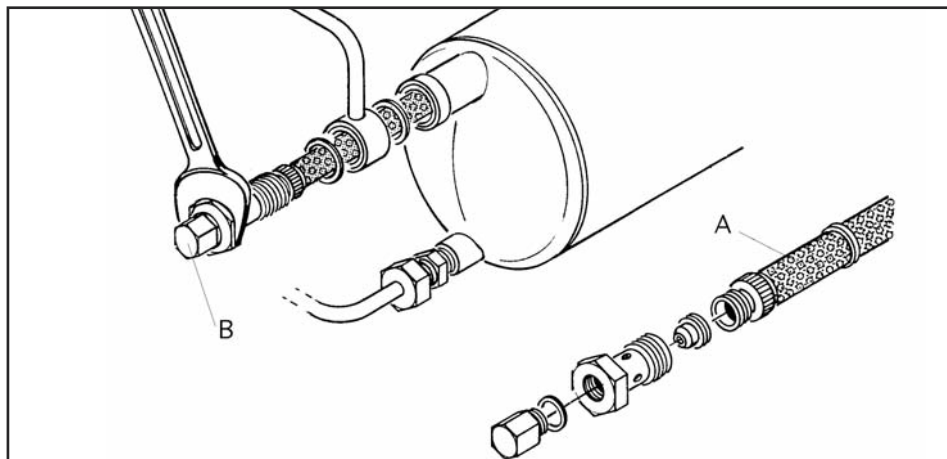
- Compruebe con regularidad la temperatura de los gases de combustión.
- Limpie la caldera cuando la temperatura de los gases de combustión supere el valor de puesta en servicio en más de 30 °C.
- Utilice un indicador de temperatura de los gases de combustión para facilitar la comprobación.



Posiciones de mantenimiento

- Todos los componentes de alimentación de combustible (mangueras, canalizaciones) y sus acoplamientos respectivos deben ser comprobados (estanqueidad, desgaste) y cambiados si es preciso.
- Comprobar las conexiones eléctricas y los cables y sustituirlos en caso necesario.
- Comprobar el filtro de gas, limpiarlo o sustituirlo.
- Limpiar la turbina y el cárter y comprobar que no estén deteriorados.
- Comprobar y limpiar la cabeza de combustión.
- Comprobar los electrodos de encendido, ajustarlos o sustituirlos si es necesario.

- Poner en marcha el quemador, comprobar la combustión y corregir los ajustes del quemador si es necesario.
- Comprobar el presóstato de aire y el presóstato de gas.
- Comprobar la aptitud del ajuste de la rampa de gas.
- Realizar una comprobación de funcionamiento.



Extracción del filtro

1. Apagar el quemador.
2. Aflojar el tornillo B y descargar una parte del aceite contenido en el tanque calentador para que el nivel del líquido descienda más bajo de lo del filtro.
3. Destornillar y sacar de su sede el mango del filtro A.
4. Después de haber limpiado el filtro, remontar sus piezas como indicado por la ilustración y reintroducirlo en su propia sede. Es una buena norma reemplazar todas las juntas del filtro cada vez que se desmontan los mismos. Se recuerda que cada vez que el quemador es en marcha, en el calentador hay una presión cerca de 23 bar y que es muy peligroso efectuar dichas operaciones cuando el quemador está en función.

Mantenimiento - Posibles inconvenientes

Causas y resolución de anomalía

En caso de anomalía se deben comprobar las condiciones de funcionamiento normal:

1. Hay corriente eléctrica?
2. Hay presión de gas?
3. Está abierta la válvula de cierre del gas?
4. Todos los aparatos de regulación y de seguridad, como por ejemplo el termostato de la caldera, el dispositivo de protección contra la falta de agua, el interruptor de fin de carrera, etc. están regulados?

En el caso de que, después de comprobar los puntos arriba, la anomalía persiste, consulte la tabla siguiente.

Mantenimiento

Controle anual

El control periódico del quemador (cabeza de combustión, electrodos etc.) tiene que ser efectuado por técnicos autorizados una o dos veces cada año, según la utilización del quemador. Antes de proceder con las operaciones de mantenimiento, es aconsejable comprobar el estado general del quemador actuando de la manera siguiente:

- Desconectar la clavija del quemador de la red.
- Cerrar la válvula de cierre del gas.
- Sacar la tapa del quemador y limpiar ventilador y conducto de aspiración del aire.
- Limpiar la cabeza de combustión y comprobar la posición de los electrodos.
- Remontar el todo.
- Comprobar la estanqueidad de las uniones del gas.
- Comprobar la chimenea.
- Arrancar el quemador y comprobar los parámetros de combustión.

Antes de cada intervención comprobar:

- Que hay corriente en la instalación y que el quemador sea conectado.
- Que la presión del gas sea la correcta y la válvula de cierre esté abierta.
- Que los equipos de control estén debidamente conectados.
- Cuando todas estas condiciones se cumplan, arrancar el quemador presionando

Los componentes de seguridad no debe ser reparado, pero se debe reemplazados por componentes de la muestra el mismo número de artículo.

Utilice exclusivamente piezas.

NB: Después de cualquier intervención:

- bajo condiciones de funcionamiento normales (las puertas se cerraron, capilla cabida, etc.), la combustión del cheque y comprueba las líneas individuales para saber si hay escapes.
- Registre los resultados en los documentos relevantes.

el botón de bloqueo y comprobar la secuencia de encendido.

Breve guía de averías :

- El quemador no arranca: comprobar el interruptor de arranque, los termostatos, el motor, la presión del gas, el equipo de control de estanqueidad (si lo hay).
- El quemador efectúa el prebarrido pero se pone en seguridad al final del ciclo: comprobar la presión del aire, el ventilador y el presostato del aire.
- El quemador efectúa el prebarrido pero no se enciende: comprobar el montaje y la posición de los electrodos, el cable de encendido, el transformador de encendido, el equipo de control llama y las electroválvulas del gas.
- El quemador se enciende pero se pone en seguridad al cumplir del tiempo de seguridad: comprobar que fase y neutro sean conectados correctamente; comprobar posición y conexión de la célula ultravioleta; comprobar el equipo de control de llama.
- El quemador se enciende normalmente pero se pone en seguridad después unos minutos de funcionamiento: comprobar el regulador de presión y el filtro del gas; controlar la presión del gas; controlar el valor de la corriente de detección (mín. 200 μ A); comprobar los valores de la combustión.

Содержание общего характера - Содержание - Предупреждения общего характера

Обзор	Технические характеристики	3
	Рабочий диапазон	4
	Размеры	5
Содержание общего характера	Содержание	48
	Предупреждения общего характера	48
	Описание горелки	49
Функция	Общие функции безопасности	50
	Блок управления и безопасности SIEMENS	51
	Oil burner pump	52
Установка	Heavy oil feeding and suction line	53
	Установка горелки	54
	Pilot gas - Control panel	55
	Электрическое соединение - Необходимые проверки перед пуском в эксплуатацию	56
Ввод в эксплуатацию	Adjustment of pump pressure	57
	Регулировка горелки	58
	Регулировка реле давления воздуха и газа	59
Техническое обслуживание	Работы по техническому обслуживанию	60
	Возможные неполадки	61
Обзор	Размеры форсунок для мазута	62
	Электрические схемы	63-64
	Запчасти	65-67
Содержание общего характера	Сертификат соответствия	68

Основные указания

Горелки MULTIFLAM спроектированы для сжигания природного газа и жидкого топлива с низким выбросом в атмосферу загрязняющих веществ. Горелки соответствуют нормам EN 676 и EN267 с точки зрения дизайна и функционирования. Монтаж, пуск в эксплуатацию и техническое обслуживание должны производиться только квалифицированными техническими специалистами с соблюдением всех действующих директив и предписаний.

Описание горелки

Горелки MULTIFLAM являются моноблочными двухступенчатый приборами, работающими в полностью автоматическом режиме. Специальная конструкция головки сгорания позволяет достичь сгорания с низким уровнем окислов азота и высоким коэффициентом полезного действия. Величины выбросов соответствуют классу 2, как определено нормой EN676 ($NO_x < 120$ мг/кВтч). В зависимости от геометрических параметров топочной камеры, нагрузки котла и системы сгорания (трехконтурный котел, котел с замкнутой топочной камерой) значения выделения загрязняющих веществ могут быть различными. Они пригодны для оборудования всех теплогенераторов, соответствующих стандарту EN 303, или

нагнетательных генераторов теплого воздуха, соответствующих стандартам DIN 4794 или DIN 30697, в их мощностном диапазоне. Для любого другого использования требуется разрешение компании Ecoflam. В целях обеспечения безопасного, экологически чистого функционирования, низкого потребления энергии, необходимо соблюдать следующие правила:

EN 267
Горелки с наддувом автоматические для жидкого топлива.

EN 676

Вентиляторные газовые горелки (с наддувом)

EN 226

Подключение наддувных жидкотопливных или газовых горелок к теплогенератору.

EN 60335-1, -2-102

Безопасность электроприборов домашнего пользования, особые нормы для аппаратов сгорания на газе.

Условия установки

Горелка не должна эксплуатироваться в помещениях с агрессивной средой (например, с распыляемыми веществами, тетрахлорэтилен, тетрахлорметан), сильно запыленным воздухом или с высокой влажностью (например, в прачечных). Достаточная вентиляция должна быть предусмотрена в помещении, где

установлена горелка, так, чтобы обеспечить условия для хорошего сгорания. Местное законодательство может содержать дополнительные требования.

Гарантия не распространяется на возмещение ущерба, вызванного следующими причинами:

- ненадлежащее использование
- неправильная установка, установка, выполненная покупателем или третьими лицами, использование неоригинальных элементов.

Передача установки пользователю и рекомендации по эксплуатации

Установщик обязан не позднее момента передачи установки пользователю передать ему инструкции по эксплуатации и техническому обслуживанию установки. Они должны храниться в котельной на видном месте. В них должен быть указан номер телефона и адрес ближайшего центра технического обслуживания.

Рекомендации пользователю

Не менее одного раза в год оборудование должно проверяться квалифицированным специалистом. Для обеспечения регулярных проверок рекомендуется заключить договор на проведение технического обслуживания.

Горелки производства Ecoflam были разработаны и изготовлены в соответствии с действующими нормативами и директивами. Все горелки соответствуют стандартам безопасности и энергосбережения в пределах заявленного рабочего поля. Качество продукции гарантировано системой сертификации в соответствии с нормой ISO 9001:2008



Содержание общего характера - Описание горелки

MULTIFLAM 200.1 PAB TC SGT 230-400-50

Серия, по виду топлива

MULTIFLAM Комбинированная (газ/ Мазут)

Типоразмер (газ: кВт; Топливо: кг/ч)

MULTIFLAM 200.1 189 кг/ч - 2150 кВт

Эмиссия

- Стандартная, класс 2 - газ EN676 (<120 мг/кВтч)

Режим работы

PAB2 этапы

PR 2-ступенчатый с плавным механическим регулированием газа/жидкого топлива

MD 2-ступенчатый модулированный с механическим ПИД-регулированием

Длина головки

TC Короткая
TL Длинная

Топливо

Природный газ
LPG Сжиженный газ
BIOGAS BIOGAS Биогаз

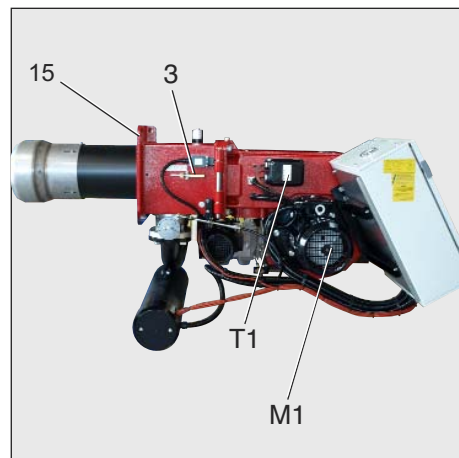
Оборудование

SGT Отдельная газовая рампа

Электропитание

жидкого топлива

230-400-50 230-400 В, 50 Гц



- A1 SIEMENS Блок управления и безопасностей.
- F6 Реле давления воздуха
- M1 Электродвигатель вентилятора
- T1 Устройство розжига
- Y10 Регулировка подачи воздуха
- 3 Регулировка воздуха в головке горелки.
- 5 Соединение (шнек)
- 8 Стакан
- 15 Фланец горелки
- 16 Кнопка разблокировки
- 113 Короб воздухозабора

Упаковка

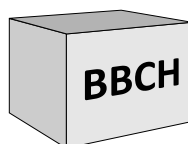
Горелка поставляется с модульной системой упаковки (отдельные коробки) отдельные комплекты/боксы:

BBCH: Горелка в комплекте с головкой сгорания и фланцем.

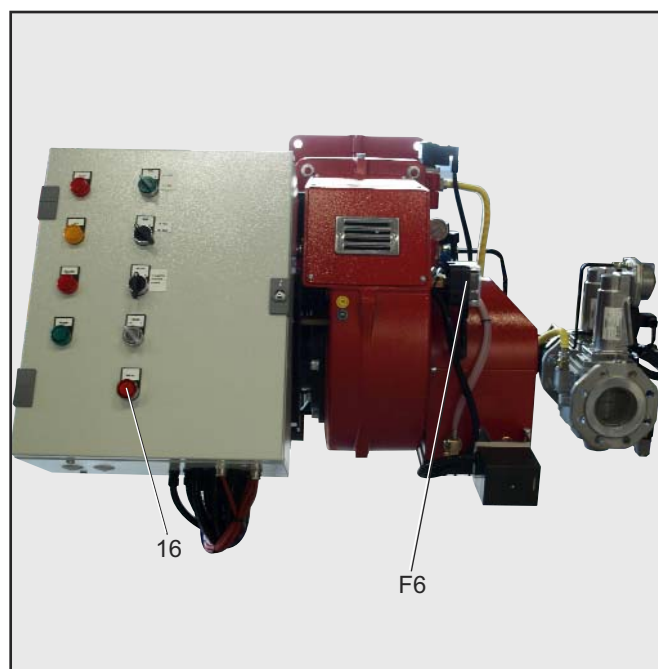
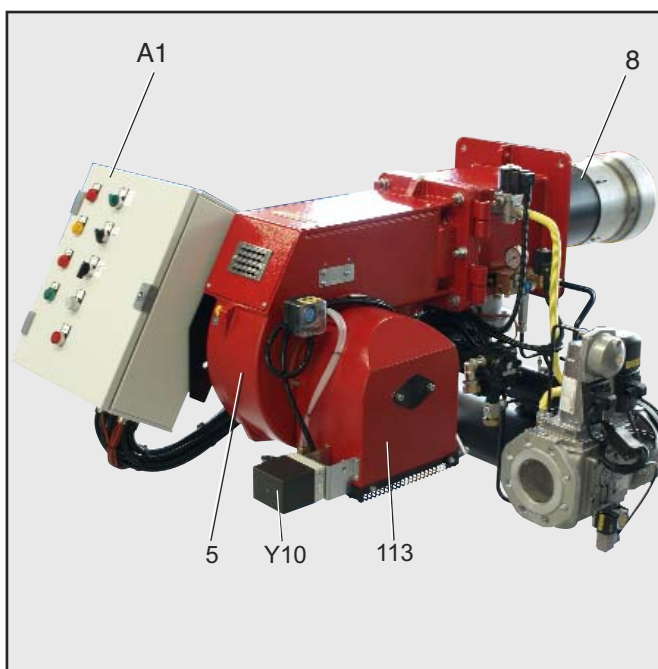
- 1 пакет : - многоязычное техническое руководство.
- гаечный ключ.
- винты, гайки и шайбы.

GT: Отдельная газовая рампа.

KIT & ACS заказываемые и поставляемые отдельно



KIT & ACS заказываемые и поставляемые отдельно



Функция - Общие функции безопасности

Описание работы

При первой подаче напряжения, после отключения напряжения или перевода в режим безопасности, после отключения газа или после остановки на 24 часа, начинается время предварительной вентиляции 30 сек.

В течение предварительной вентиляции:

- давление воздуха находится под контролем.
- контроль присутствия возможных аномальных указаний пламени.

После истечения периода предварительной вентиляции

- запускается розжиг.
- главный и предохранительный электромагнитные клапаны открыты.
- пуск горелки.

Контроль

Пламя контролировалась УФ-фотоэлемента. Горелка переходит в состояние ошибки, если не фотоэлемент обнаруживает свет пламени.

Режим безопасности

- Если при запуске горелки (пуск газа) не образовалось никакого пламени, то по истечении времени безопасности 3 секунды макс., газовый клапан закрывается.
- В случае исчезновения пламени во

время работы подача газа прекращается не позже, чем через секунду. Включается новый цикл запуска. Если горелка запускается, рабочий цикл продолжается. В противном случае происходит переход в режим безопасности.

- В случае нехватки воздуха при предварительной вентиляции или во время работы происходит переход в режим безопасности.
- В случае нехватки газа горелка не включается и/или останавливается.

Остановка регулировки

- Реле регулятора температуры прерывает запрос на нагрев.
- Газовые клапаны закрываются.
- Пламя гаснет.
- Электродвигатель вентилятора останавливается.
- Горелка готова к работе.

Режим эксплуатации

После образования пламени регулятор мощности переводит горелку в рабочий режим. С этого момента регулятор мощности автоматически управляет горелкой между частичной и полной нагрузками.

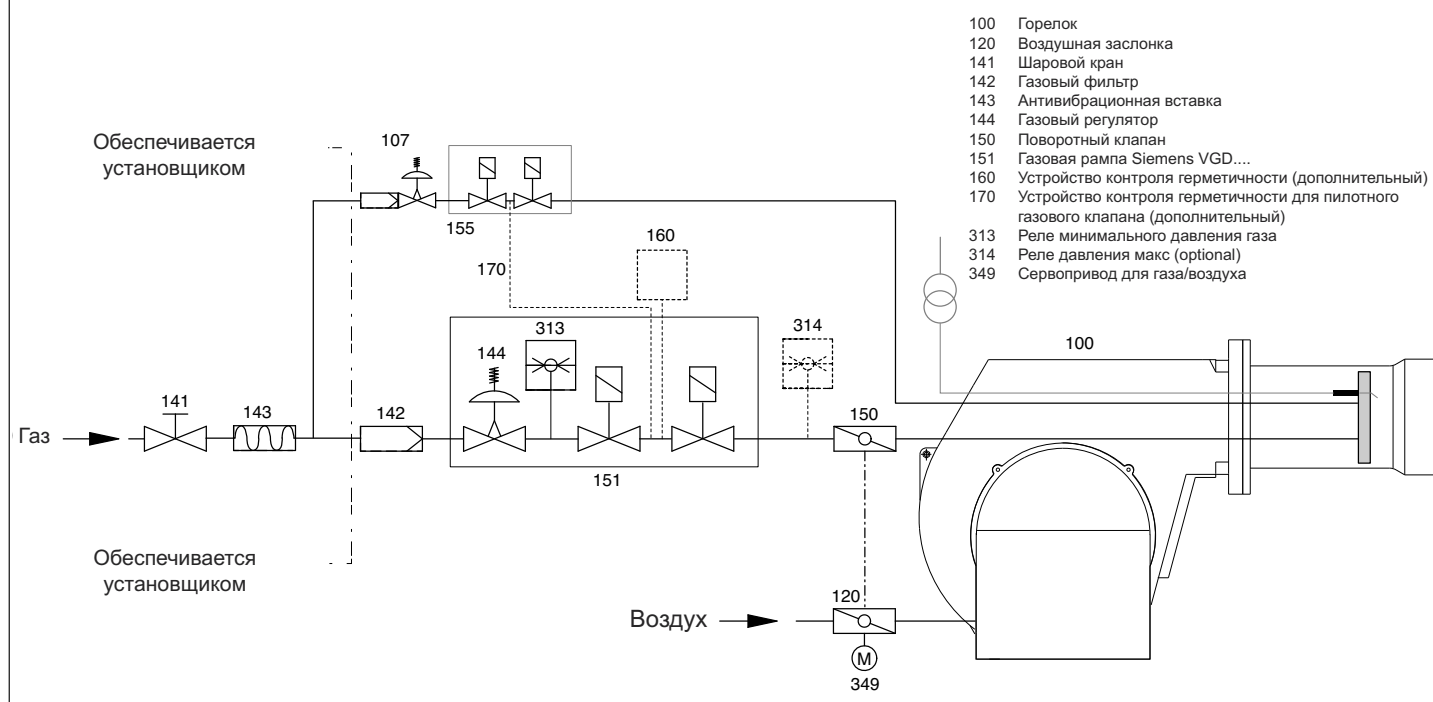
В зависимости от тепловой нагрузки электрический сервопривод механической комбинированной системы управления получает через регулятор команду ОТКР. или ЗАКР. и,

увеличивает или уменьшает расход жидкого топлива (газа) и воздуха.

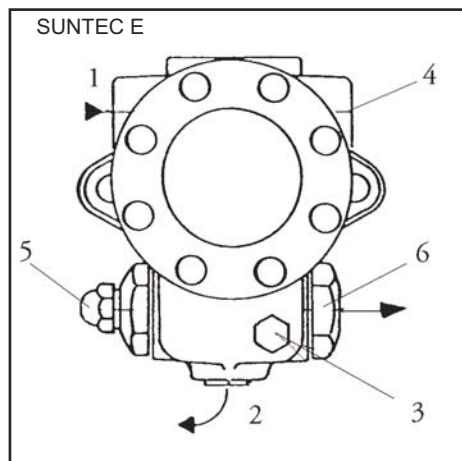
Эта комбинированная система управления изменяет положения топливного клапана и воздушной заслонки и тем самым регулирует расход жидкого топлива (газа) и расход воздуха. Горелка может управляться в 2-ступенчатом скользящем режиме или, при наличии соответствующего регулятора, в плавном режиме.

При плавном управлении горелка будет работать с любой требуемой нагрузкой между положениями частичной и полной нагрузки. Отключение горелки осуществляется из положения частичной нагрузки. Воздушная заслонка при остановке горелки закрывается и препятствует прохождению холодного воздуха через корпус горелки, теплообменник и дымоход. Потери по причине внутреннего охлаждения сводятся к минимуму.

СХЕМА СОЕДИНЕНИЯ ДЛЯ ГОРЕЛОК С ГАЗОВОЙ РАМПОЙ SIEMENS VGD...



Функция - Насос горелки



- 1 Всасывающий штуцер.
- 2 Нагнетательный штуцер.
- 3 Точка подключения манометра (давление топлива).
- 4 Точка подключения манометра (разрежение).
- 5 Регулирование давления дизельного топлива.
- 6 Штуцер давления.

В насос встроены фильтр аспирации и регулятор давления мазут. Перед вводом в эксплуатацию аппарата подключить манометры для измерения давления и разрежения.

Примечание: Перед запуском горелки проверить, чтобы обратный клапан был открыт. Любое препятствие может вызвать повреждение прокладки насоса.

Насос, используемый в горелке мазут – это насос шестерённый самовсасывающий насос, который должен быть соединён с однотрубной системой; в систему труб аспирации вставить фильтр.

TECHNICAL DATA

Общие сведения

Вид крепления	Фланцевое
Резьба соединений	Цилиндрическая, согл. ISO228/1
Входной и обратный т/провод	G 1/2"
Т/провод к форсунке	G 1/4"
Гнездо манометра	G 1/8"
Гнездо вакуумметра	G 1/2"
Функция клапана	Давление регулируя без выключения
Фильтр	поверхностный профит : 45 cm2 фильтрация степень : 550 µm
Вал	Ø 11 mm
Байпасная пробка	введено в возвращенное отверстие В 2х-трубной системе; В 1-трубной системе: демонтировать 6-гранным ключом разм. 3/16"
Вес	4 кг

Гидравлические характеристики

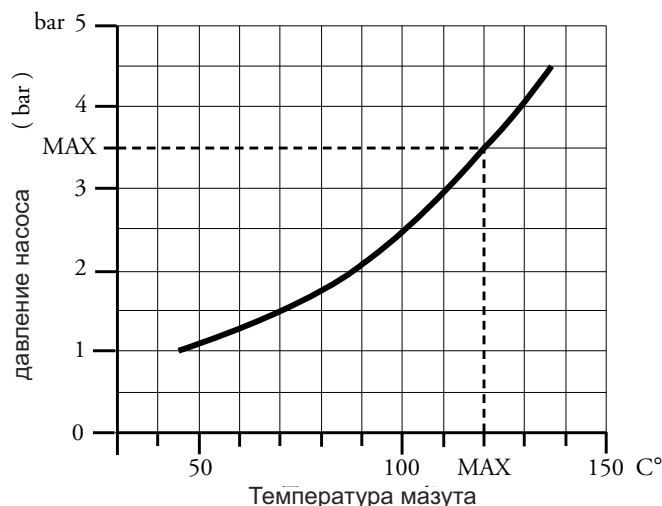
Диапазон давления в форсунке	14 - 30 бар
Заводская регулировка давления	20 бар
Рабочая вязкость	3 - 75 cSt
Температура дизтоплива	0 - 130°C max. in the pump
Давление на входе	Дизтопливо: разрежение не более 0,45 бар во избежание отделения воздуха Мазут: не более 3,5 бар.
Давление в обратн. т/п	Дизтопливо: не более 3,5 бар Мазут: не более 3,5 бар
Номинальная скорость двигателя	не более 3600 об./мин
Крутящий момент	0,3 N.m

ТЭН

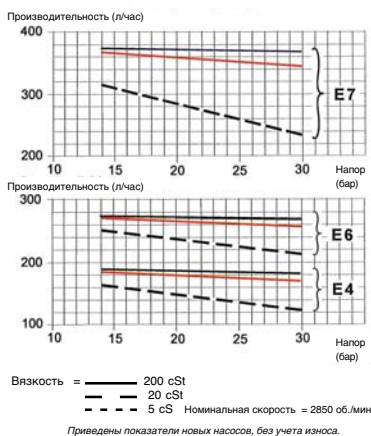
Кожух	Ø 12 mm
Крепление	согласно EN 50262
Номинальная мощность	50-80 W

ГРАФИК ЗАВИСИМОСТИ ДАВЛЕНИЯ НАСОСА И ТЕМПЕРАТУРЫ МАЗУТА

Переход в газообразную форму летучих фракций, содержащихся в подогретом мазуте, является основной причиной преждевременного износа топливного насоса. Для предупреждения этого явления давление на всасывании насоса должно быть отрегулировано, как показано на нижеприведенном графике.



Потребляемая мощность



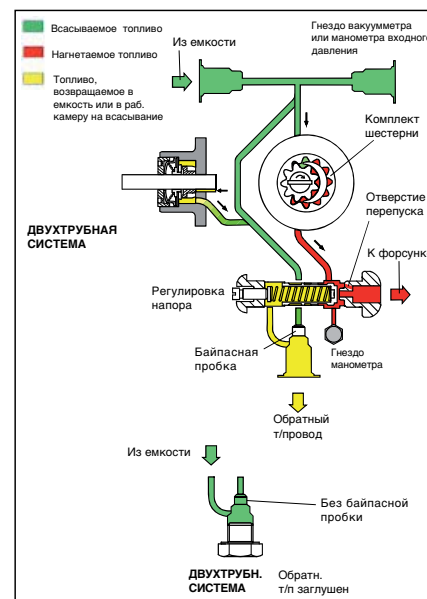
ИДЕНТИФИКАЦИЯ НАСОСА

(Не все возможные конфигурации насосов имеются в наличии. За консультацией обращайтесь к местному представителю компании Suntec).

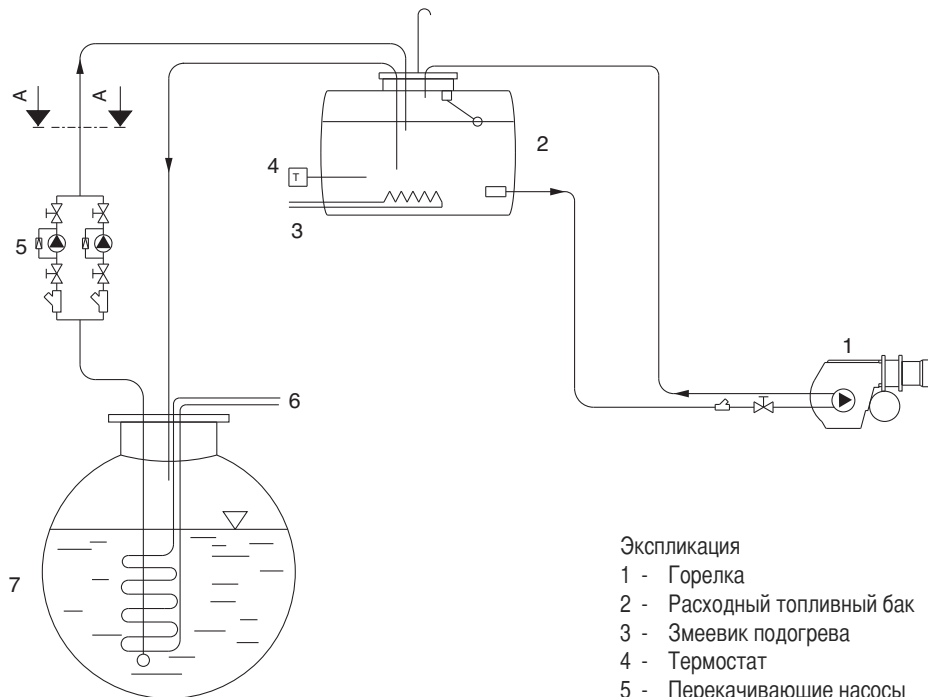
E : Регулировка давления
 Мощность шестерен (см. характеристику насоса)
 Фильтр
 Направление вращения вала и положение сопла (с торца вала)
 A: по час. стрелке / послано справедливо.
 C: против час. стрелки / послано налево

E 4 N C 1 069 7 P

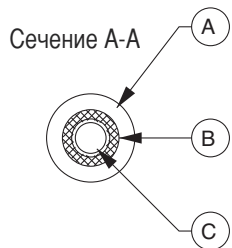
Установка фланца
 069 : Место для ТЭНа модель без функции выключения
 Номер модификации
 установка
P : ДВУХТРУБНАЯ СИСТЕМА
 Байпасная пробка в возвращенном порте



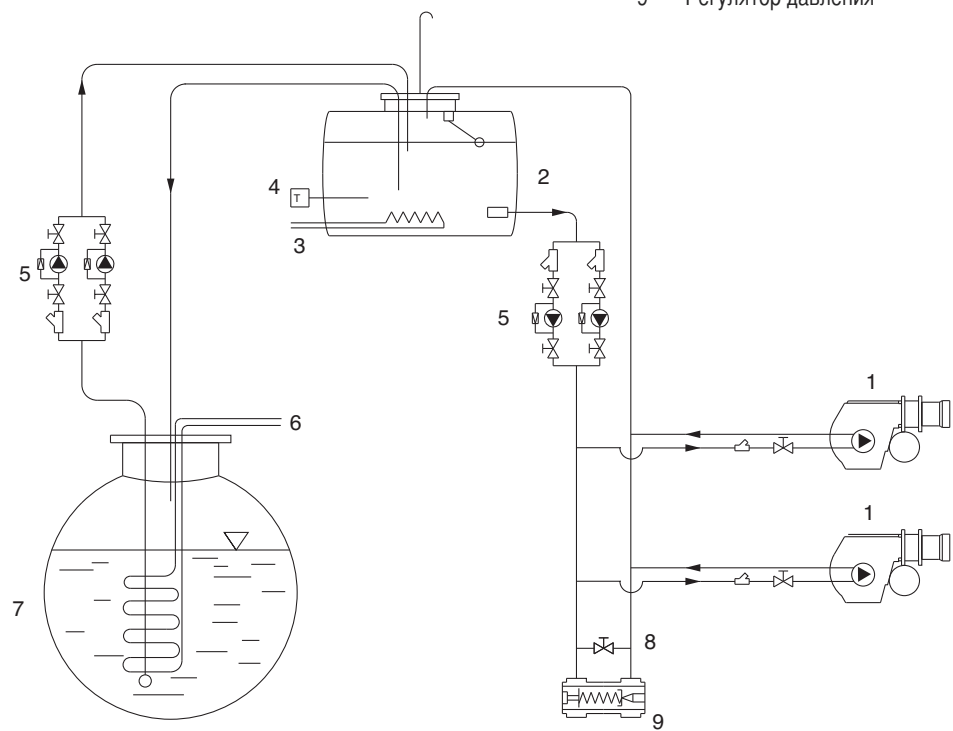
Установка - Линия питания горючего



- Экспликация
- 1 - Горелка
 - 2 - Расходный топливный бак
 - 3 - Змеевик подогрева
 - 4 - Термостат
 - 5 - Перекачивающие насосы
 - 6 - Змеевик подогрева
 - 7 - Топливный бак
 - 8 - Байпас
 - 9 - Регулятор давления

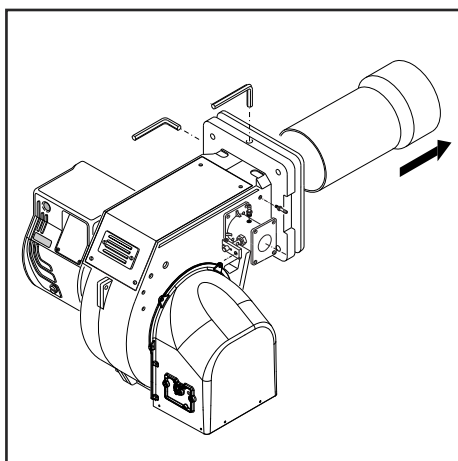
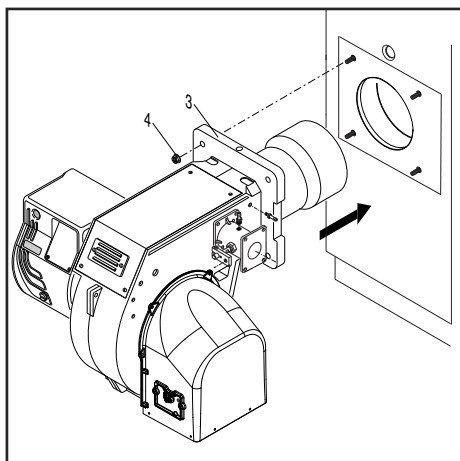


- Экспликация
- А - Изоляция
 - В - Греющий кабель
 - С - Топливопровод .



ВНИМАНИЕ: Все топливопроводы должны быть оснащены греющим кабелем и изолированы (см. сеч. А-А).

Установка - Установка горелки



Монтаж горелки

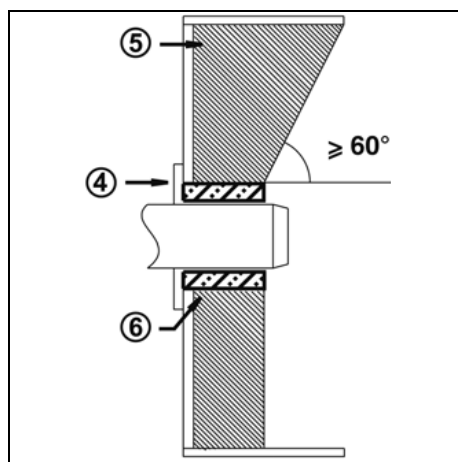
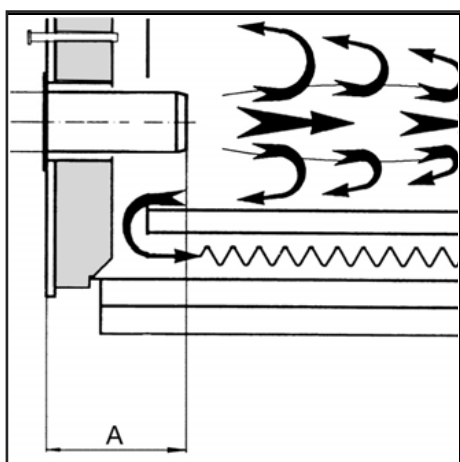
Горелка крепится к котлу.

Монтаж:

- Закрепить фланец креплением 3 к котлу винтами 4.

Демонтаж:

- Ослабьте винты и снимите горелку.



Глубина установки сопла горелки и огнеупорное уплотнение

Для котлов без охлаждения передней стенки и при отсутствии других указаний со стороны производителя котла, необходимо выполнить огнеупорную вставку или теплоизоляцию (5), как показано на рисунке слева.

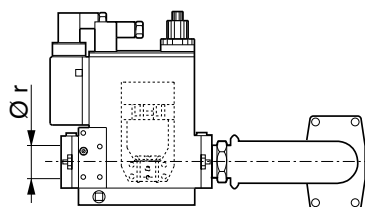
Огнеупорная вставка не должна заходить за передний край сопла горелки, а угол ее конического скоса не должен превышать 60°. Воздушный промежуток (6) должен быть заполнен эластичным и невоспламеняемым теплоизоляционным материалом.

Система отвода продуктов горения

Для предотвращения неприятного шума не рекомендуется применять для соединения котла с дымоходом соединительные детали с проходным каналом, изогнутым под прямым углом.

Линия газоснабжения

При установке линии газоснабжения и газовой рампы необходимо соблюдать предписания нормы EN676. Необходимо установить обязательный комплект EN676. Дополнительные принадлежности должны быть установлены установщиком для соблюдения любых местных норм.

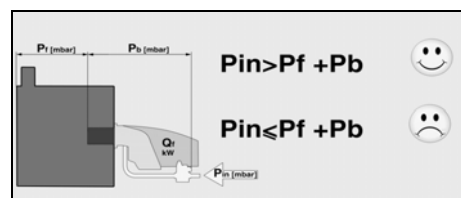


Предписания общего порядка для подключения газа

- Подключение газовой рампы к сетевому газу должно исключительно выполняться уполномоченным квалифицированным специалистом.
- Сечение газовых труб должно быть подготовлено таким образом, чтобы давление питания газа не могло опуститься ниже предписанного значения.
- Клапан ручной остановки (не поставляется) должен быть установлен в верхней части газовой рампы.

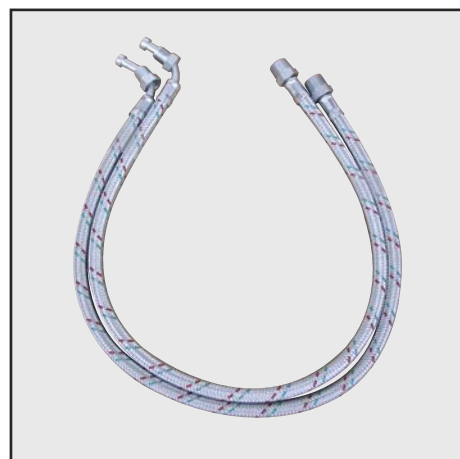
Подключение топливопровода

Этот фильтр должен устанавливаться так, чтобы обеспечивалась правильная прокладка шлангов. Шланги не должны пережиматься.



УСЛОВНЫЕ ОБОЗНАЧЕНИЯ

Pf: Противодавление в топке.
Pb: Газовое давление горелки (головка сгорания + газовая рампа).
Pn: Минимальное давление питания.



Установка - Valvula gas piloto - Панель управления

ПОДКЛЮЧЕНИЕ ЗАПАЛЬНОЙ ГАЗОВОЙ РАМПЫ

Запальная газовая рампа уже установлена на горелке и должна быть подключена к главной трубе подачи газа, желательнo используя гибкий шланг. Запальная газовая рампа состоит из 2 предохранительных клапанов, 1 газового регулятора и фильтра. Макс. давление на входе - 1 бар.

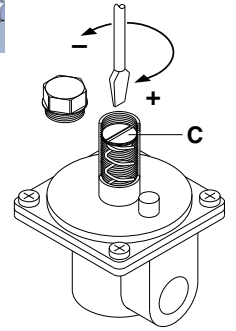
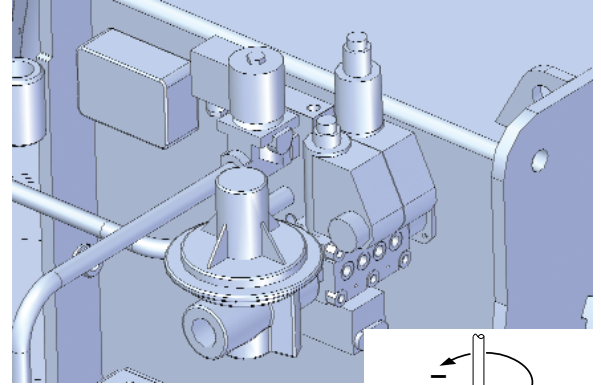
ПРЕДУПРЕЖДЕНИЕ: Запальная газовая рампа должна подключаться в соответствии с чертежом газопровода.

РЕГУЛИРОВКА ГАЗОВЫХ КЛАПАНОВ

Примечание : Управляющие клапаны имеют предварительную заводскую регулировку. Для увеличения или уменьшения потока газа используйте газовый регулятор.

НАСТРОЙКА РЕГУЛЯТОР ДАВЛЕНИЯ

Регулятор давления со встроенным фильтром должен устанавливаться таким образом, чтобы обеспечивать стабилизацию давления газа на выходе и исключать попадание примесей в газовый клапан. Чтобы увеличить давление газа, снимите крышку стабилизатора и закрутите винт С. Чтобы понизить давление, отвинтите винт С и оденьте крышку. Примечание: давление газа на входе не должно быть выше указанного максимального давления газа.



KITTC- Устройство контроля герметичности

Устройство контроля герметичности предоставляется как набор инструментов и должен быть собран в основную газовую рампу согласно инструкции отдельного руководства газовой рампы.

KITPRES... Реле давления макс

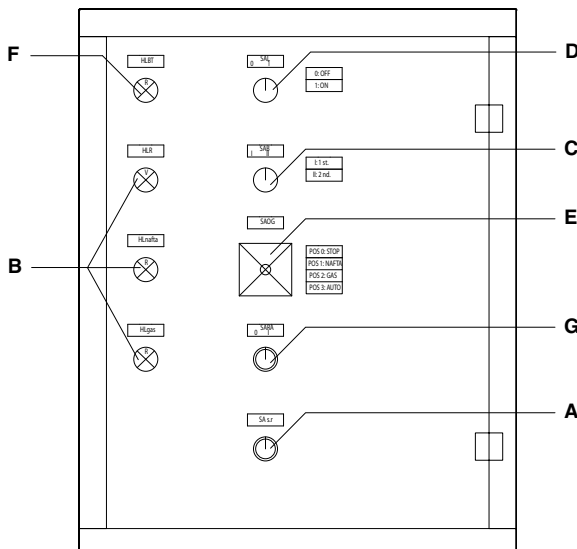
Реле давления макс предоставляется как набор инструментов и должен быть собран в основную газовую рампу согласно инструкции отдельного руководства газовой рампы.

KITMD-регулятор RWF50 PID

Вся прогрессивная горелка может быть переключены к регулятору с установкой регулятора PID, которая регулирует мощность в сочетании с датчиком.

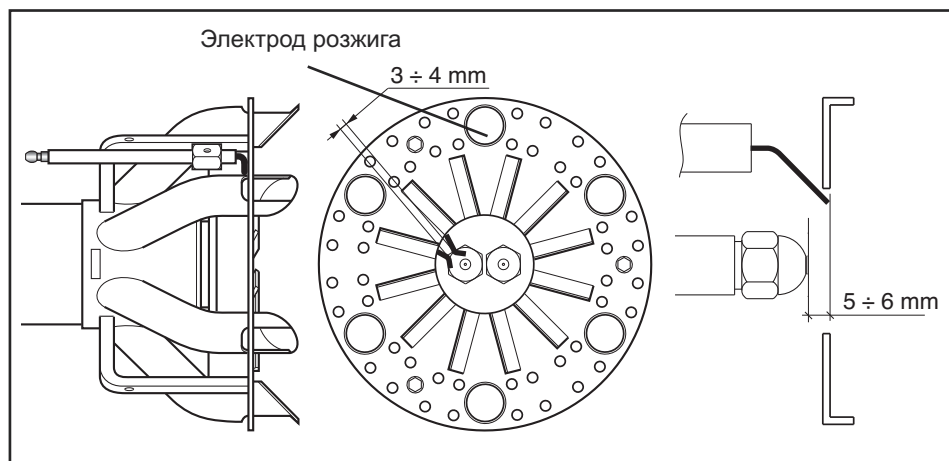
Устройство контроля герметичности	Регулятор	Реле давления макс
KITTC- модель	KITMD-RWF50	KITPRES50
Обязателен > 1200 kW	Датчик -...	KITPRES150
		

Панель управления



- A - Кнопка возврата
- B - Лампа
- C - Переключатель (0-стоп, 1-2-я ступень, 2-1-я ступень, 3-АВТО)
- D - Главный выключатель 1/0
- E - Переключатель ГАЗ/О/МАЗУТ
- F - Лампа блокировки
- G - Переключатель сопротивлений Auxiliaries

Установка - Подключение к электросети - Необходимые проверки перед пуском в эксплуатацию



Электроподключение

Электропроводка и все работы по подключению к сети должны выполняться только квалифицированным электриком. Должны выполняться действующие предписания и директивы. Установка электропитания должна быть оснащена дифференциальным выключателем типа А.

Строго соблюдать действующие предписания и директивы, помимо электросхемы, поставляемой с горелкой!

- Убедитесь, что напряжение электропитания соответствует указанному рабочему напряжению в электросхеме и табличке с данными. Защита горелки : 5 А

Подключение разъемами

Горелка должна быть изолирована от сети с помощью всеполюсного размыкателя, соответствующего действующим стандартам. Горелка и теплогенератор (котел) подключены к клеммной колодке кабинета (рис.1).

Подключение газовой рампы

Выполните подключение газовой рампы при помощи розеток, установленных на горелке.

Горелки производятся с соединениями, предназначенными для трехфазного электропитания 400В.

Горелки с электродвигателями мощностью 7,5 кВт или менее могут быть адаптированы под 220-230В (пожалуйста, следуйте инструкции на обратной стороне); электродвигатели большей мощности могут работать только при трехфазном электропитании 380-400В. Если требуемое исполнение горелки отличается от вышеупомянутого стандарта, рекомендуется сделать отдельное примечание при заказе.

Инструкция: как адаптировать электродвигатели мощностью 7.5 кВт или менее под электропитание 220-230В

Напряжение горелки можно изменить путем следующих действий:

1. Изменить соединение внутри клеммной коробки двигателя со "звезды" на соединение треугольником (см. рисунок 3);
2. Изменить настройку термореле в соответствии со значениями, указанными на шильдике двигателя. Если необходимо, замените термореле другим, с подходящей шкалой. Вышеуказанные действия невозможны для электродвигателей мощностью выше 7.5 кВт. Для более подробной информации, пожалуйста, свяжитесь с Ecoflam.

Положение электродов

Обязательно проверьте положение электродов после их замены или установки комплекта KIT GPL. Неправильное положение электродов может затруднить розжиг горелки или выявление.

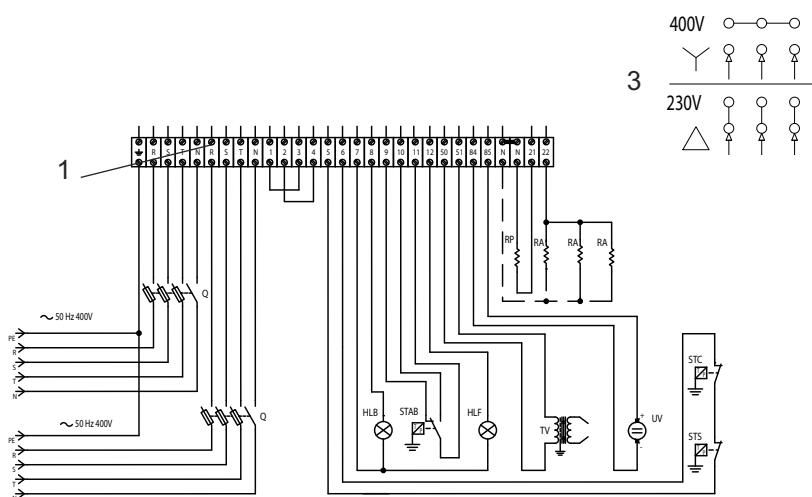
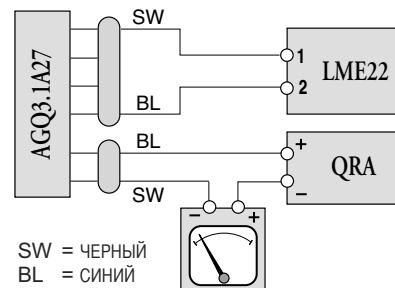
Проверки перед пуском в эксплуатацию

Перед первым запуском следует проверить следующее:

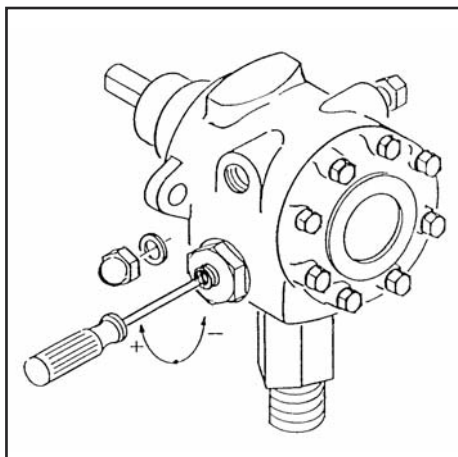
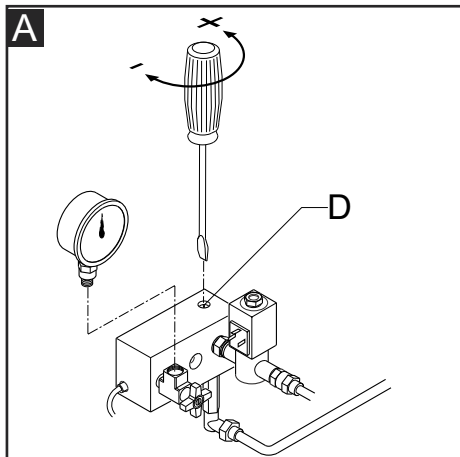
- Убедитесь, что горелка установлена согласно настоящей инструкции.
- Предварительная регулировка горелки выполнена правильно, согласно указанным в таблице регулировок значениям.
- Настройка органов горения
- Теплогенератор должен быть готов к работе согласно инструкции по его использованию.
- Все электрические соединения выполнены правильно.
- Теплогенератор и система отопления заполнены достаточным количеством воды. Циркуляционные насосы действуют.
- Регуляторы температуры давления, устройство защиты от недостатка воды, а также другие предохранительные и защитные устройства, используемые на установке, правильно подсоединены и действуют.
- Вытяжная труба должна быть прочищена. Устройство для подачи дополнительного воздуха, если оно установлено, в рабочем состоянии.
- Гарантирована подача свежего воздуха.
- Получен запрос на тепло.
- Должно быть доступным достаточное давление газа.
- Топливопроводы установлены согласно техническим нормам, прочищены и проверена их герметичность.
- Согласно существующим нормам на вытяжной трубе должна находиться точка измерения. До этого места труба должна быть герметичной для того, чтобы подсос наружного воздуха не повлиял на результаты измерений.

Система обнаружения пламени

Для проверки тока детектор подключить последовательно микроамперметр со шкалой 1000 μ A (постоянного тока) к фотоэлементу. Если сила тока детектор слишком мала, проверьте соединение фазы и нуля и заземление горелки. Минимальная сила тока детектор 200 μ A.



Ввод в эксплуатацию - Регулировка давления насоса



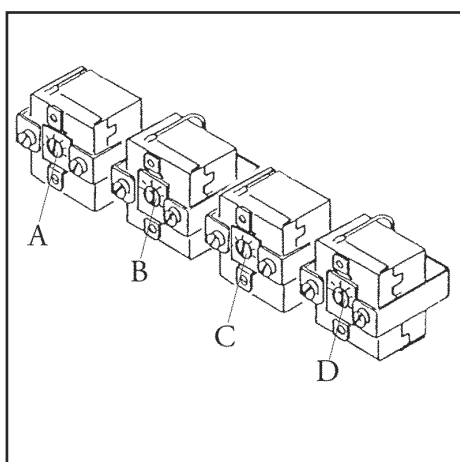
Внимание: Для правильной работы насоса, проверьте следующее:

Насоса : SUNTEC E4NC 1069 / SUNTEC E6NC 1069

Температура мазута : Не более 120°C в насосе.

Давление в подающем и обратном топливопроводах : Не более 3,5 бар .

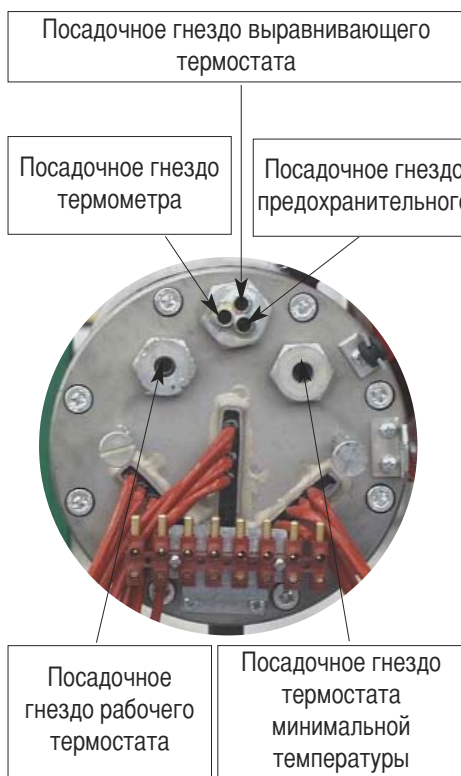
A : СХЕМА ЦИРКУЛЯЦИИ ТОПЛИВА НА ЭТАПЕ ПРОДУВКИ.



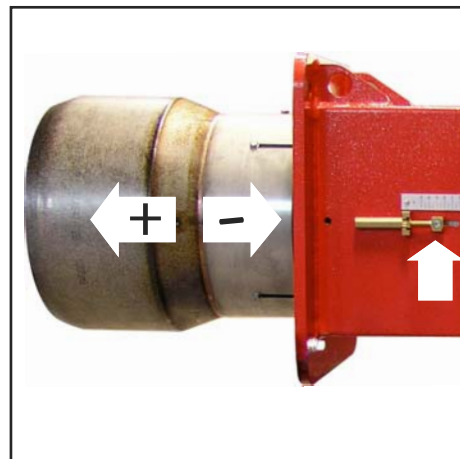
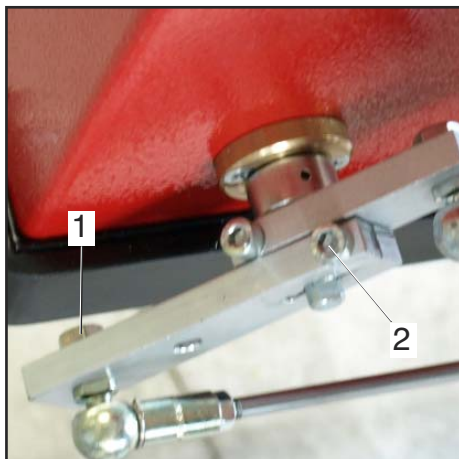
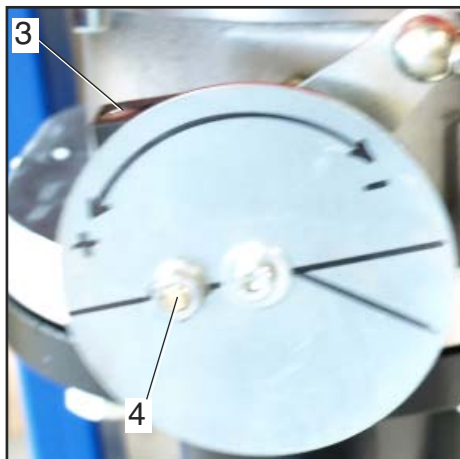
РЕГУЛИРОВАНИЕ ТОПЛИВНЫХ ТЕРМОСТАТОВ

Рабочий термостат нагревательных элементов устанавливается на 120 °С, а предохранительный - на 160 °С. Эти значения могут незначительно изменяться в зависимости от типа топлива и иных условий эксплуатации.

- A - Предохранительный термостат (160° С).
- B - Рабочий термостат (120° С).
- C - Выравнивающий термостат (130° С).
- D - Термостат минимальной температуры мазута (90° С).



Ввод в эксплуатацию - Регулировка горелки



Регулирование газовой рампы

Закрепите газовую рампу болтами в месте фланцевого соединения, обращая внимание на правильное положение прокладки. Подсоедините электропитание к рампе через 6-штырьковый разъем.

Произведите розжиг горелки (заводом-изготовителем уже произведена предварительная настройка) и проверьте герметичность соединений. Для приведения мощности горелки к требуемой мощности котла произведите следующие действия:

Большое горение

1.Переведите горелку в режим большого горения (положение воздушной заслонки должно быть 75° (максимальное открытие)), для регулирования расхода воздуха воздействуйте на положение огневой головки. Только в некоторых случаях необходимо уменьшать расход воздуха на большом горении, прикрывая всасывающий патрубок.

2.Положение газовой заслонки должно быть меньше 90° (например 85° ; важно не превышать 90° для достижения наилучших параметров горения во время перехода с большого горения на малое). При необходимости отрегулировать это положение с помощью винта 1, предварительно ослабив гайку 2. 3.Отрегулировать расход газа на большом горении с помощью стабилизатора на газовом клапане или с помощью самого газового клапана.

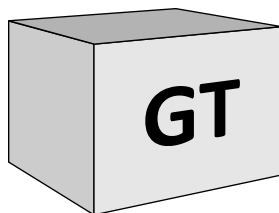
Малое горение

4.Выбрать положение первой ступени мощности на сервоприводе (обычно между 10° и 30°) в зависимости от желаемой мощности на первой ступени и переключите горелку на малое горение.

5. Отрегулировать расход газа для получения желаемых параметров горения, меняя положение газовой заслонки с помощью винта 3, предварительно ослабив гайку 4.

6.Переключите горелку на большое горение и при необходимости отрегулируйте положение газовой заслонки, как описано в пункте 2.7.При необходимости повторите несколько раз операции, описанные в пунктах 5 и 6, чтобы добиться точного положения газовой заслонки как на малом, так и на большом горении.

8.Затяните гайки.



Регулировка газового клапана

Отрегулируйте газовые клапаны в соответствии с инструкциями Руководства по эксплуатации газовой рампы.

Воздушный сервопривод SQN 30 151A2700

Для доступа к регулировочным кулачкам снять крышку. Регулирование производится входящим в комплект ключом. Описание:

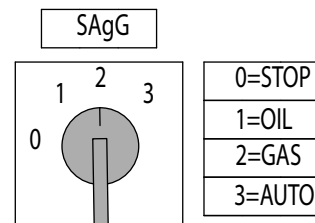
- I - Кулачок регулирования расхода воздуха на 2-й ступени(макс. мощность).
- II - Кулачок регулирования расхода воздуха при гашении горелки.
- III - Кулачок регулирования расхода воздуха на 1-й ступени (минимал. мощность).
- V - Концевой выключатель открывания электромагнитного клапана 2-й ступени.

(5): ДЕБЛОКИРОВОЧНЫЙ РЫЧАГ.

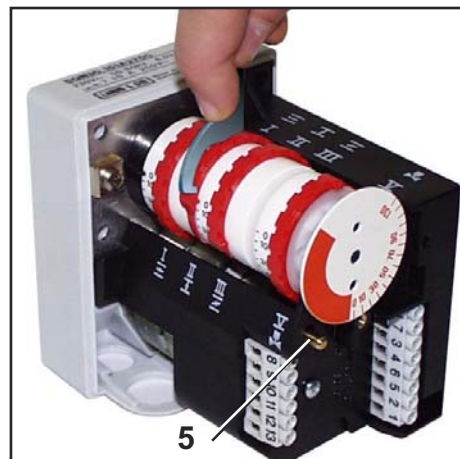
ПРИМЕЧАНИЕ : Кулачок V (дает разрешение на открывание электромагнитного клапана 2-й ступени) должен быть установлен в среднее.

Настройка огневой головки

Огневая головка предварительно отрегулирована при 50% от изготовителя. Полная открытая настройка дает возможность для достижения полной мощности горелки и полного закрытого положения для достижения минимальной мощности горелки. Оптимальное положение зависит от мощности, которое вы хотите достигнуть, но настройка по умолчанию может быть изменено только если вам не удалось достигнуть рекомендуемого значения сжигания регулировкой высокого пламени.



Внимание! Соблюдайте минимальную необходимую температуру дымовых газов, следуя указаниям производителя котла и принимая во внимание тип вытяжных труб, чтобы избежать эффекта конденсации.



Опасность вспышки! Постоянно контролируйте содержание CO, CO2 и дымовые выбросы в процессе регулировки. В случае образования CO оптимизируйте значения горения. Содержание CO не должно превышать 50 пропромилле.

Ввод в эксплуатацию - Регулировка реле давления воздуха и газа

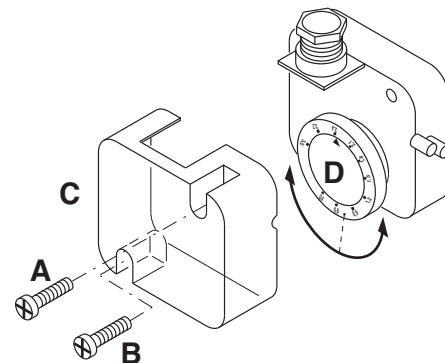
Регулировка реле давления воздуха

Реле давления воздуха контролирует давление 'вентиляции воздуха. Отвинтить винты **A** и **B** и снять крышку **C**. После настройки приборов воздуха и газа, с работающей горелкой медленно повернуть установочное кольцо **D** по часовой стрелке до остановки блока горелки. Прочтите значение, указанное на установочном кольце, понизив его на 15%.

Установить на место крышку **C** и

ввернуть винты **A** и **B**.

ВНИМАНИЕ: Реле давления позволит предотвратить, чтобы давление воздуха не опустилось ниже 85% от установленной величины, избегая таким образом превышения содержания CO в дымах 1%(10000 мг/м3).

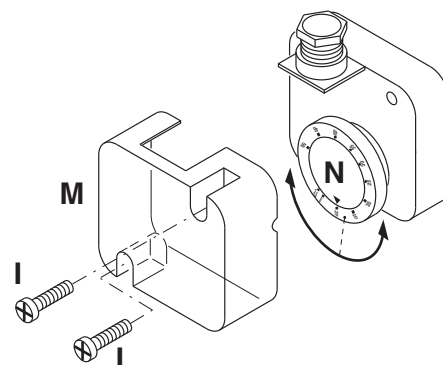


Регулировка реле минимального давления газа

Функция реле минимального давления газа - следить за тем, чтобы давление газа перед газовым клапаном было не ниже минимального, при котором горелка работает нормально.

Отвинтить винты **I** и **L** и снять крышку **M**. Установить регулятор **N** на значение равное 60% номинального давления газа (например, при номинальном давлении метана 20 мбар регулятор устанавливается на значение 12 мбар;

для сжиженного газа с номинальным давлением 30/37 мбар регулятор устанавливается на значение 18 мбар). Установить на место крышку **M** и ввернуть винты **I** и **L**.



Контроль функционирования

Контроль пламени должен быть выполнен как в случае первого запуска, так и после технического обслуживания или после длительного периода бездействия системы.

- Тест запуска с закрытым газовым краном:

блок управления должен сигнализировать сбой по причине нехватки газа или перейти в режим блокировки по окончании предохранительного времени.

Техническое - Работы по техническому обслуживанию

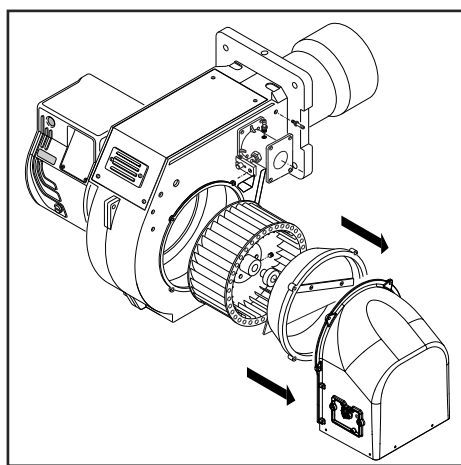
Работы по техническому обслуживанию котла и горелки должны выполняться только специалистом-теплотехником. Для обеспечения регулярного обслуживания пользователю рекомендуется заключить договор на техническое обслуживание.

Внимание

- Перед выполнением любых работ по техническому обслуживанию и очистке отключите электропитание.
- Блокирование и компоненты головки могут быть горячими.

Проверка температуры топочных газов

- Регулярно проверяйте температуру дымовых газов.
- Выполняйте очистку котла, если температура продуктов сгорания более чем на 30° С превышает значение температуры, измеренное при пуске горелки в эксплуатацию.
- С целью упрощения контроля установить дисплей для визуализации температуры выхлопных дымов.

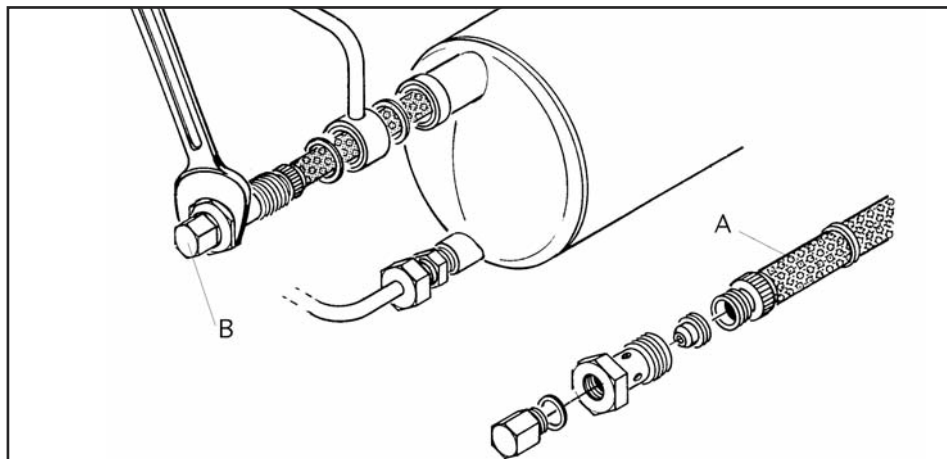


Положения для технического обслуживания

- Все компоненты системы подачи топлива (шланги, трубопроводы) и их соединения должны быть проверены (герметичность, износ) и, при необходимости, заменены.
- Проверьте все электрические подключения и кабели, при необходимости замените их.
- Проверьте состояние газового фильтра, очистите или замените его.
- Проверьте рабочее колесо вентилятора и корпус и убедитесь, что они не повреждены.
- Проверьте и очистите головку горелки.
- Проверьте электроды, при

необходимости отрегулируйте или замените их.

- Запустите горелку, проверьте процесс сгорания и, при необходимости, откорректируйте регулировки горелки.
- Проверьте реле давления воздуха и реле давления газа.
- Проверьте чувствительность газовой рампы к регулировке.
- Выполнить контроль функционирования.



Демонтаж фильтра

1. Выключить горелку.
2. Ослабить винт В и слить из бачка мазут, так чтобы его уровень опустился ниже фильтра.
3. Отвинтить и извлечь из посадочного гнезда шток А.
4. После чистки фильтра собрать его как показано на рисунке и вставить в посадочное гнездо.

Всякий раз, когда демонтируются фильтр и клапан рекомендуется заменить весь комплект соответствующих прокладок. Напоминаем, что во время работы горелки бачок-подогреватель находится под давлением приблизительно 23 бар, поэтому проводить вышеописанные работы при работающей горелке очень опасно.

Техническое - Возможные неполадки

Причины неисправностей и способы их устранения

При отклонениях от нормы, должны быть проверены нормальные условия для работы горелки:

1. Есть электрический ток?
 2. Есть давление газа?
 3. Кран остановки подачи газа открыт?
 4. Правильно ли настроены все регулирующие и предохранительные устройства, такие как термореле котла, предохранитель от недостатка воды, электрические концевые выключатели?
- В случае, если после контролей в названных точках аномалия сохранится, пользоваться следующей таблицей.

Обслуживание

Периодическое обслуживание

Периодическое обслуживание горелки (головки, электродов и т.д.) должно выполняться квалифицированным персоналом. В зависимости от условий эксплуатации это делается один или два раза в год. Прежде чем приступить к проверке и последующему обслуживанию горелки рекомендуется произвести её общий осмотр.

Для этого:

- отключить энергоснабжение горелки (вытащить штекер из розетки);
- закрыть отсечной газовый кран;
- снять крышку горелки, прочистить вентилятор и всасывающий воздухопровод;
- прочистить головку горелки и проверить положение электродов;
- установить обратно все детали;
- проверить герметичность газовых соединений;
- проверить дымоход;
- запустить горелку;
- измерить параметры горения

Прежде, чем выполнять дальнейшие операции, необходимо проверить, верно, что:

- напряжение подается на установку, а горелка подключена;
- в сети имеется требуемое давления газа, и отсечной газовый кран находится в открытом положении;
- предохранительные устройства и

Ни один из существенных компонентов системы безопасности не должен ремонтироваться; эти компоненты должны заменяться компонентами с таким же обозначением.

Используйте только оригинальные запасные части.

NB: После проведения любых работ:

- выполните проверку параметров горения в реальных условиях эксплуатации (дверцы закрыты, крышкана месте и т. д.);
- отрегулировать параметры сгорания в технических документах станции.

приборы управления подключены правильно;

Если все вышеупомянутые условия соблюдены, нажатием кнопки перезапуска запустить горелку. Проверить рабочий цикл горелки.

Не происходит запуск горелки:

- Проверить выключатель, термостаты, двигатель и давление газа.

После предварительной продувки происходит блокировка горелки:

- Проверить давление газа и вентилятор.
- Проверить реле давления воздуха.

После предварительной продувки розжиг горелки не происходит:

- Проверить правильность установки электродов и их положение.
- Проверить провод розжига.
- Проверить трансформатор розжига.
- Проверить предохранительные устройства.

После розжига по истечении времени аварийной остановки происходит блокировка горелки:

- Проверить правильность подключения фазы и нуля.
- Проверить газовые электроклапаны.
- Проверить состояние самого фотоэлемента.
- Проверить предохранительные

устройства.

Блокировка горелки происходит после ее непродолжительной нормальной работы:

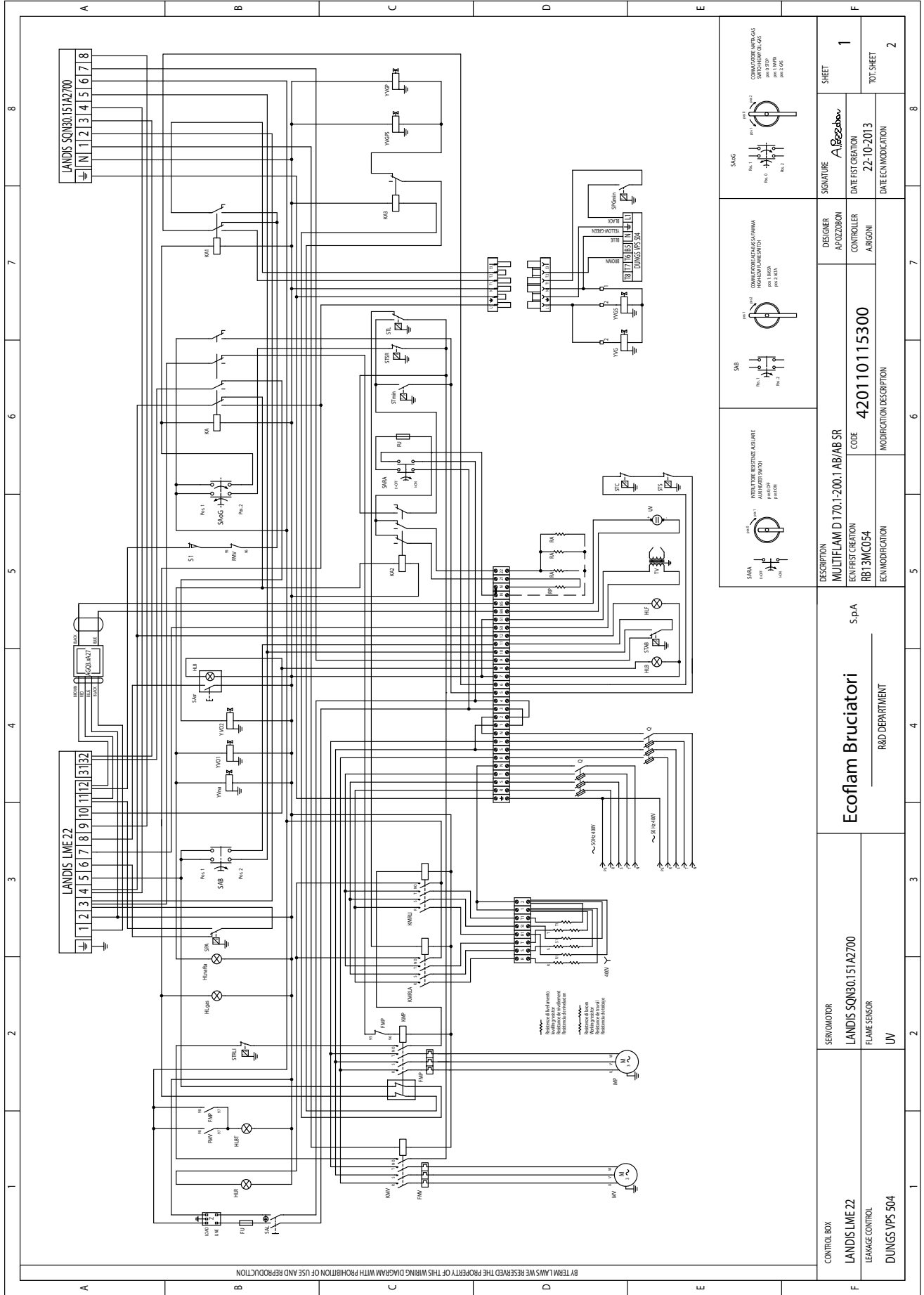
- Проверить регулятор давления газа и газовый фильтр.
- Проверить давление газа с помощью манометра.
- Проверить параметры обнаружения пламени.

NOZZLE OUTPUT FOR HEAVY OIL

GPH	Pump pressure bar																													
	10	11	12	13	14	15	16	17	18	19	20	21	22	23	24	25	26	27	28	29	30									
0,60	2,5	2,6	2,7	2,9	3,0	3,1	3,2	3,3	3,4	3,4	3,5	3,6	3,7	3,8	3,9	4,0	4,0	4,1	4,2	4,3	4,3	4,3								
0,65	2,7	2,8	3,0	3,1	3,2	3,3	3,4	3,5	3,6	3,7	3,8	3,9	4,0	4,1	4,2	4,3	4,4	4,4	4,5	4,6	4,6	4,7								
0,75	3,1	3,3	3,4	3,5	3,7	3,8	3,9	4,0	4,2	4,3	4,4	4,5	4,6	4,7	4,8	4,9	5,0	5,1	5,2	5,3	5,4	5,4								
0,85	3,5	3,7	3,8	4,0	4,1	4,3	4,4	4,6	4,7	4,8	4,9	5,1	5,2	5,3	5,4	5,5	5,6	5,8	5,9	6,0	6,1	6,1								
1,00	4,2	4,4	4,6	4,8	5,0	5,1	5,3	5,5	5,6	5,8	5,9	6,1	6,2	6,4	6,5	6,6	6,8	6,9	7,0	7,2	7,3	7,3								
1,10	4,6	4,8	5,0	5,2	5,4	5,6	5,8	6,0	6,2	6,3	6,5	6,7	6,8	7,0	7,1	7,3	7,4	7,6	7,7	7,8	8,0	8,0								
1,20	5,0	5,2	5,5	5,7	5,9	6,1	6,3	6,5	6,7	6,9	7,1	7,2	7,4	7,6	7,7	7,9	8,1	8,2	8,4	8,5	8,7	8,7								
1,25	5,2	5,5	5,7	5,9	6,2	6,4	6,6	6,8	7,0	7,2	7,4	7,5	7,7	7,9	8,1	8,2	8,4	8,5	8,7	8,9	9,0	9,0								
1,35	5,6	5,9	6,1	6,4	6,6	6,9	7,1	7,3	7,5	7,7	7,9	8,1	8,3	8,5	8,7	8,9	9,0	9,2	9,4	9,5	9,7	9,7								
1,50	6,2	6,5	6,8	7,1	7,3	7,6	7,8	8,1	8,3	8,5	8,8	9,0	9,2	9,4	9,6	9,8	10,0	10,2	10,4	10,6	10,7	10,7								
1,65	6,9	7,2	7,6	7,9	8,2	8,5	8,7	9,0	9,3	9,5	9,8	10,0	10,2	10,5	10,7	10,9	11,1	11,3	11,5	11,8	12,0	12,0								
1,75	7,3	7,7	8,0	8,3	8,6	8,9	9,2	9,5	9,8	10,1	10,3	10,6	10,8	11,1	11,3	11,5	11,8	12,0	12,2	12,4	12,6	12,6								
2,00	8,3	8,7	9,1	9,5	9,8	10,2	10,5	10,8	11,1	11,4	11,7	12,0	12,3	12,6	12,9	13,1	13,4	13,6	13,9	14,1	14,4	14,4								
2,25	9,4	9,9	10,3	10,7	11,1	11,5	11,9	12,3	12,6	13,0	13,3	13,6	13,9	14,3	14,6	14,9	15,2	15,4	15,7	16,0	16,3	16,3								
2,50	10,4	10,9	11,4	11,9	12,3	12,7	13,2	13,6	14,0	14,3	14,7	15,1	15,4	15,8	16,1	16,4	16,8	17,1	17,4	17,7	18,0	18,0								
3,00	12,5	13,1	13,7	14,3	14,8	15,3	15,8	16,3	16,8	17,2	17,7	18,1	18,5	19,0	19,4	19,8	20,2	20,5	20,9	21,3	21,7	21,7								
3,50	14,6	15,3	16,0	16,6	17,3	17,9	18,5	19,0	19,6	20,1	20,6	21,2	21,7	22,1	22,6	23,1	23,5	24,0	24,4	24,9	25,3	25,3								
4,00	16,6	17,4	18,2	18,9	19,6	20,3	21,0	21,6	22,3	22,9	23,5	24,1	24,6	25,2	25,7	26,2	26,8	27,3	27,8	28,3	28,8	28,8								
4,50	18,7	19,6	20,5	21,3	22,1	22,9	23,7	24,4	25,1	25,8	26,4	27,1	27,7	28,4	29,0	29,6	30,2	30,7	31,3	31,8	32,4	32,4								
5,00	20,8	21,8	22,8	23,7	24,6	25,5	26,3	27,1	27,9	28,7	29,4	30,1	30,9	31,5	32,2	32,9	33,5	34,2	34,8	35,4	36,0	36,0								
5,50	22,9	24,0	25,1	26,1	27,1	28,0	29,0	29,9	30,7	31,6	32,4	33,2	34,0	34,7	35,5	36,2	36,9	37,6	38,3	39,0	39,7	39,7								
6,00	25,0	26,2	27,4	28,5	29,6	30,6	31,6	32,6	33,5	34,5	35,4	36,2	37,1	37,9	38,7	39,5	40,3	41,1	41,8	42,6	43,3	43,3								
6,50	27,1	28,4	29,7	30,9	32,1	33,2	34,3	35,3	36,4	37,4	38,3	39,3	40,2	41,1	42,0	42,8	43,7	44,5	45,3	46,1	46,9	46,9								
7,00	29,1	30,5	31,9	33,2	34,4	35,6	36,8	37,9	39,0	40,1	41,2	42,2	43,2	44,1	45,1	46,0	46,9	47,8	48,7	49,6	50,4	50,4								
7,50	31,2	32,7	34,2	35,6	36,9	38,2	39,5	40,7	41,9	43,0	44,1	45,2	46,3	47,3	48,3	49,3	50,3	51,3	52,2	53,1	54,0	54,0								
8,30	34,5	36,2	37,8	39,3	40,8	42,3	43,6	45,0	46,3	47,6	48,8	50,0	51,2	52,3	53,4	54,5	55,6	56,7	57,7	58,8	59,8	59,8								
9,50	39,5	41,4	43,3	45,0	46,7	48,4	50,0	51,5	53,0	54,4	55,9	57,2	58,6	59,9	61,2	62,5	63,7	64,9	66,1	67,3	68,4	68,4								
10,50	43,7	45,8	47,9	49,8	51,7	53,5	55,3	57,0	58,6	60,2	61,8	63,3	64,8	66,3	67,7	69,1	70,5	71,8	73,1	74,4	75,7	75,7								
12,00	49,9	52,3	54,7	56,9	59,0	61,1	63,1	65,1	66,9	68,8	70,6	72,3	74,0	75,7	77,3	78,9	80,5	82,0	83,5	85,0	86,4	86,4								
13,80	57,4	60,2	62,9	65,4	67,9	70,3	72,6	74,8	77,0	79,1	81,2	83,2	85,1	87,1	88,9	90,8	92,6	94,3	96,0	97,7	99,4	99,4								
15,30	63,7	66,8	69,8	72,6	75,4	78,0	80,6	83,1	85,5	87,8	90,1	92,3	94,5	96,6	98,7	100,7	102,7	104,7	106,6	108,5	110,3	110,3								
17,50	72,8	76,4	79,7	83,0	86,1	89,2	92,1	94,9	97,7	100,3	103,0	105,5	108,0	110,4	112,8	115,1	117,4	119,6	121,8	124,0	126,1	126,1								
19,50	81,2	85,2	89,0	92,6	96,1	99,4	102,7	105,9	108,9	111,9	114,8	117,7	120,4	123,1	125,8	128,4	130,9	133,4	135,9	138,3	140,6	140,6								
21,50	89,5	93,9	98,0	102,0	105,9	109,6	113,2	116,7	120,1	123,4	126,6	129,7	132,7	135,7	138,7	141,5	144,3	147,1	149,8	152,4	155,0	155,0								
24,00	99,9	104,8	109,4	113,9	118,2	122,4	126,4	130,3	134,0	137,7	141,3	144,8	148,2	151,5	154,8	158,0	161,1	164,2	167,2	170,1	173,0	173,0								
28,00	116,5	122,2	127,6	132,8	137,8	142,7	147,4	151,9	156,3	160,6	164,8	168,8	172,8	176,7	180,5	184,2	187,9	191,4	194,9	198,4	201,8	201,8								
30,00	124,9	131,0	136,8	142,4	147,8	153,0	158,0	162,8	167,6	172,2	176,6	181,0	185,3	189,4	193,5	197,5	201,4	205,2	209,0	212,7	216,3	216,3								

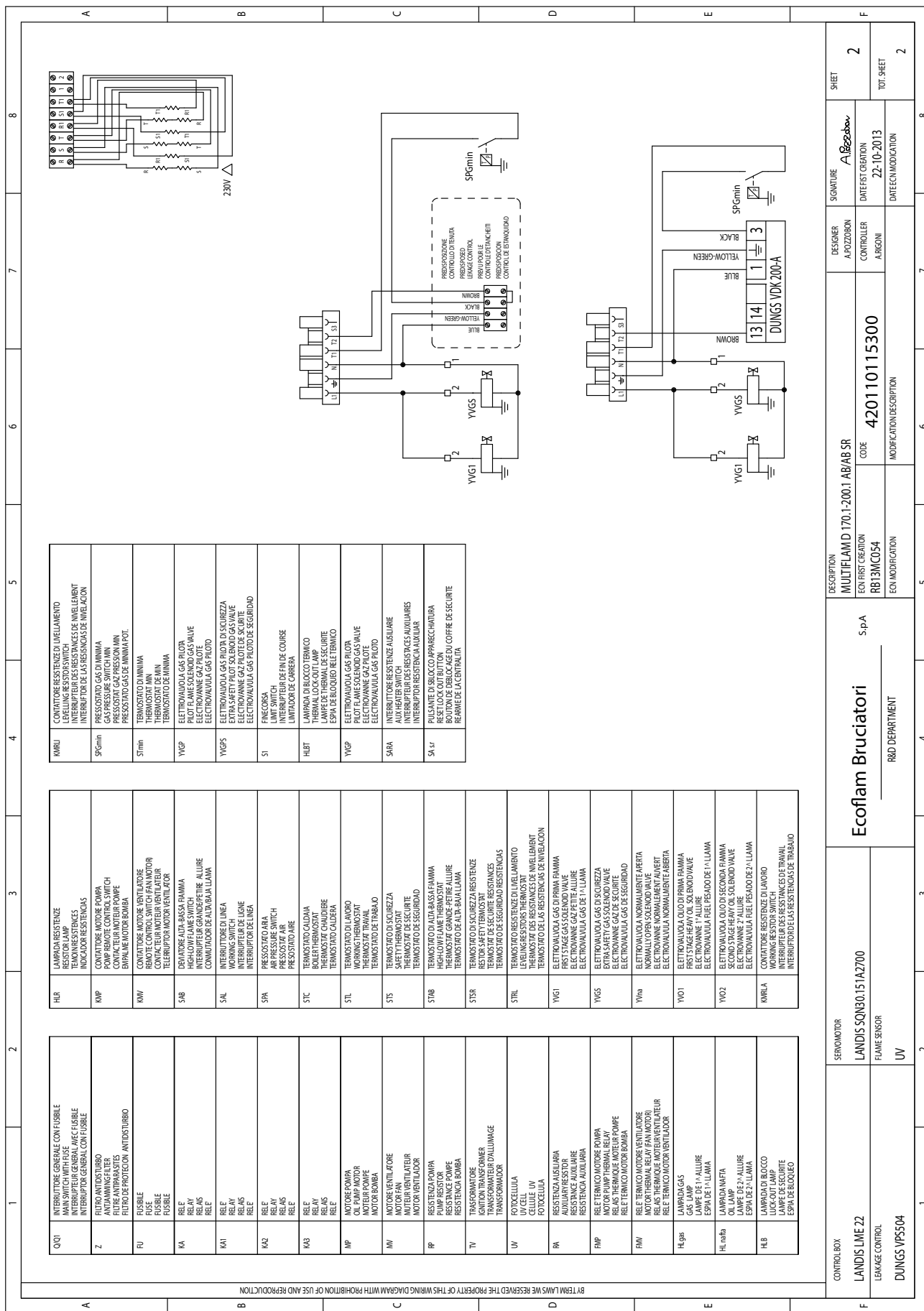
OUTPUT Kg/h

Overview - Electric diagrams / Panoramica - Schemi elettrici / Vue d'ensemble - Schémas électrique / Descripción - Esquemas eléctrico /
Обзор - Электрические схемы



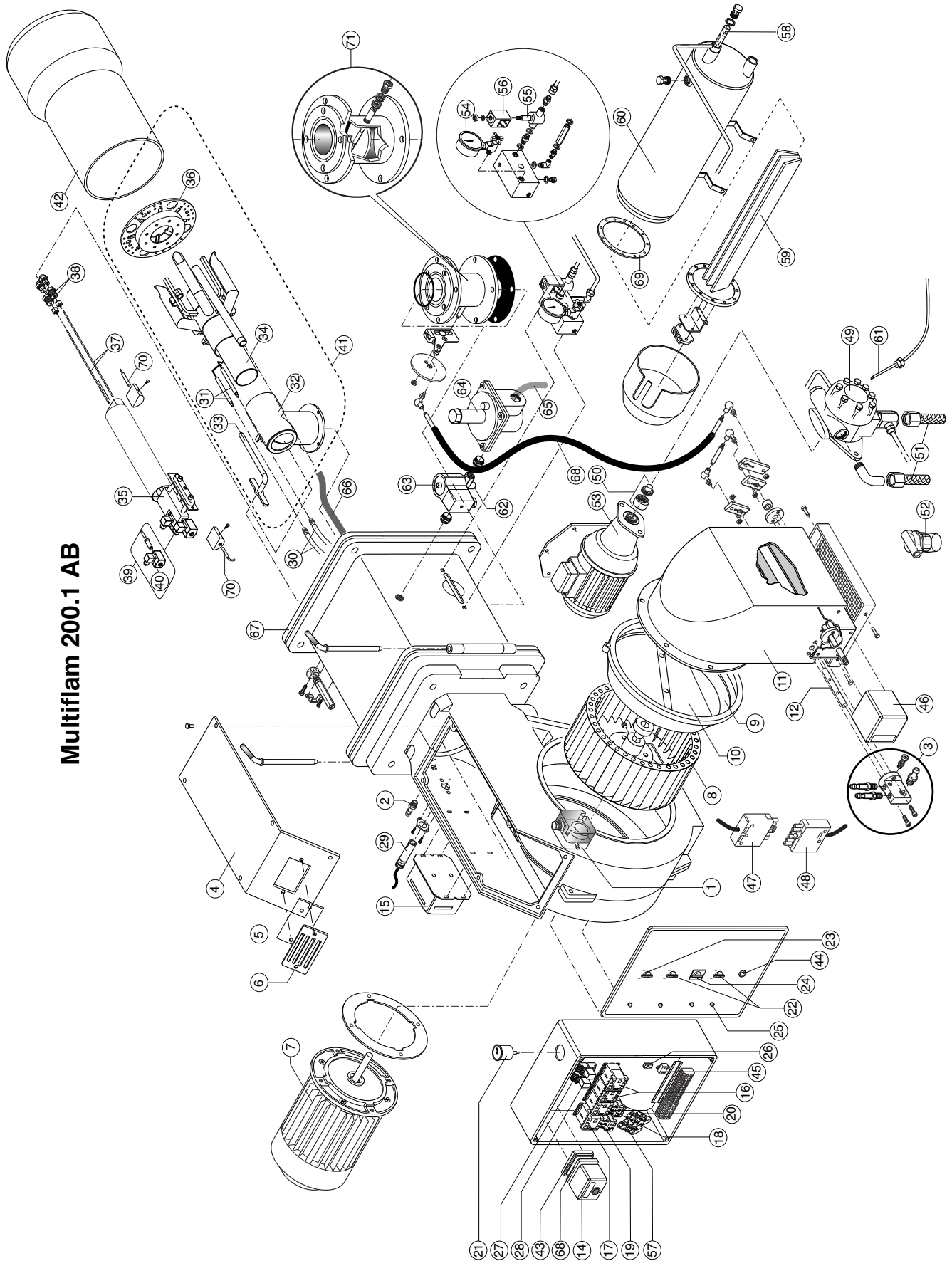
<p>CONTROL BOX LANDIS LME 22 LEAKAGE CONTROL DUNGS VPS 504</p>		<p>SERVO MOTOR LANDIS SON30.151A2700 FLAME SENSOR UV</p>		<p>Ecoflam Bruciatori R&D DEPARTMENT</p>		<p>DESCRIPTION MULTIFLAM D 170.1-200.1 AB/AB SR ECON FIRST CREATION RB13MCO54 ECON MODIFICATION</p>		<p>DESIGNER A. POZZOBON CONTROLLER A. BIGONI</p>		<p>SIGNATURE A. Bigoni</p>		<p>SHEET 1 TOT. SHEET 2</p>	
<p>DATE FIRST CREATION 22-10-2013</p>		<p>DATE ECON MODIFICATION</p>		<p>CODE 420110115300 MODIFICATION DESCRIPTION</p>		<p>DATE FIRST CREATION 22-10-2013</p>		<p>DATE ECON MODIFICATION</p>		<p>DATE FIRST CREATION 22-10-2013</p>		<p>DATE ECON MODIFICATION</p>	

Overview - Electric diagrams / Panorámica - Schemi elettrici / Vue d'ensemble - Schémas électrique / Descripción - Esquemas eléctrico / Обзор - Электрические схемы



Overview - Spare parts list / Panoramica - Parti di ricambio / Vue d'ensemble - Pièces de rechange / Descripción - Piezas de recambio /
Обзор - Запчасти

Multiflam 200.1 AB



Overview - Spare parts list / Panoramica - Parti di ricambio / Vue d'ensemble - Pièces de rechange / Descripción - Piezas de recambio /
Обзор - Запчасти

N°	DESCRIPTION	DESCRIZIONE	DESCRIPCIÓN	НАИМЕНОВАНИЕ	Multiflam 200.1 code
1	AIR PRESSURE SWITCH	PRESSOSTATO ARIA	PRESOSTATO AIRE	РЕЛЕ ДАВЛЕНИЯ ВОЗДУХА	65323047
2	PRESSURE GAUGE	PRESA DI PRESSIONE	PRESSURE GAUGE	МАНОМЕТР	65321341
3	AIR INTAKE SET	GRUPPO PRESE ARIA	COJUNTO TOMAS DE AIRE	ВОЗДУХОЗАБОР В СБОРЕ	65322346
4	COVER	COPERCHIO BRUCIATORE	TAPA DEL QUEMADOR	КРЫШКА ГОРЕЛКИ	65320676
5	GLASS	VETRINO	VIDRIOSO	СМОТРОВОЕ СТЕКЛО	65320487
6	PEED WINDOW FRAME	CORNICE OBLO	SOPORTE VIDRIOSO	РАМКА СМОТРОВОГО СТЕКЛА	65320488
7	MOTOR	MOTORE	MOTOR	ДВИГАТЕЛЬ	65325351
8	FAN	VENTOLA	VENTILADOR	ВЕНТИЛЯТОР	65321798
9	AIR CONVEYOR	CONVOGLIATORE	CONDUCTO DE AIRE	ВОЗДУХОВОД	65320643
10	FAN SCOOP	SURPRESSORE	SUPRESOR	ДЕФЛЕКТОР	65320626
11	AIR INTAKE	CASSETTO	REJILLA DE PROTECCION	КОЖУХ ВОЗДУХОЗАБОРА	65320555
12	AIR INTAKE PIPE	TUBO PER CASSETTO	TUBO PARA REJILLA DE PROTECCION	ТРУБА ДЛЯ КОЖУХА	65321290
13	CONTROL BOX BASE	ZOCOLO	BASE DEL EQUIPO	МОНТАЖНАЯ ПЛАСТИНА БЛОКА УПРАВЛЕНИЯ	65320092
14	CONTROL BOX	APPARECCHIATURA	EQUIPO CONTROL LLAMA	БЛОК УПРАВЛЕНИЯ	65324042
15	IGNITION TRANSFORMER	TRASFORMATORE	TRANSFORMADOR	ТРАНСФОРМАТОР РОЗЖИГА	65323222
16	REMOTE CONTROL SWITCH	CONTATTORE	EMPALME MOTOR	ПУСКАТЕЛЬ	65323133
17	REMOTE CONTROL SWITCH	CONTATTORE	EMPALME MOTOR	ПУСКАТЕЛЬ	65323135
18	REMOTE CONTROL SWITCH (PUMP)	CONTATTORE MOTORE POMPA	EMPALME MOTOR BOMBA	ДИСТАНЦИОННЫЙ ПУСКАТЕЛЬ (НАСОСА)	65323132
19	MOTOR THERMAL RELAY	RELE' TERMICO	TERMICO MOTOR	ТЕПЛОЕ РЕЛЕ ДВИГАТЕЛЯ	65323119
20	MOTOR THERMAL RELAY (PUMP)	RELE' TERMICO POMPA	TERMICO BOMBA	ТЕПЛОЕ РЕЛЕ ДВИГАТЕЛЯ (НАСОСА)	65323115
21	THERMOMETER	TERMOMETRO	TERMOMETRO	ТЕРМОМЕТР	65323093
22	SELECTOR	COMMUTATORE	CONMUTADOR	ПЕРЕКЛЮЧАТЕЛЬ	65324099
23	MAIN SWITCH	INTERRUTTORE DI LAVORO	INTERRUPTOR DE LINEA	РАБОЧИЙ ВЫКЛЮЧАТЕЛЬ	65324098
24	SELECTOR	COMMUTATORE	CONMUTADOR	ПЕРЕКЛЮЧАТЕЛЬ	65324278
25	LAMP	LAMPADA	ESPIA	ИНДИКАТОРНАЯ ЛАМПОЧКА	65324100
26	FUSE SUPPORT	PORTA FUSIBILE	PORTAFUSIBLE	НЕЗДЮ ПЛАВКОГО ПРЕДОХРАНИТЕЛЯ	65324279
27	RELAY BASE	ZOCOLO RELE	BASE DEL RELE'	МОНТАЖНАЯ ПЛАСТИНА РЕЛЕ	65323149
28	RELAY	RELE	RELE'	РЕЛЕ FINDER	65323150
29	UV CELL	FOTOCELULA	FOTOCELULA	Finder 5532	65323139
30	IGNITION CABLE	CABLE DE ENCENDIDO	CABLE DE ENCENDIDO	Finder 5534	65323145
31	IGNITION ELECTRODES SET	ELECTRODO	ELECTRODO	Finder 5532	65323170
32	PIPE	TUBO	TUBO	СИМЕНС QRA	65320075
33	ROD	SOPORTE CABEZA DE COMBUSTION	SOPORTE CABEZA DE COMBUSTION	TC	65320948
34	FIRING HEAD GAS	CABEZA DE COMBUSTION GAS	CABEZA DE COMBUSTION GAS	TL	65320947
35	FIRING HEAD HEAVY OIL	CABEZA DE COMBUSTION FUEL PESADO	CABEZA DE COMBUSTION FUEL PESADO	TL	65324644
36	FRONT DISC	DIFUSOR	DIFUSOR	TL	65324645
37	ROD NOZZLE HOLDER	ALFILER PORTACHICLER	ALFILER PORTACHICLER	TL	65324647
38	NOZZLE HOLDER	PORTACHICLER	PORTACHICLER	TC	65325848
39	OIL VALVE	VALVULA	VALVULA	TL	65325855
40	COIL	BOBINA	BOBINA	ТОПЛИВНЫЙ КЛАПАН	65321683
				КАТУШКА	65323629
				PARKER	65323781

TC = Testa corta / Short Head / Tete courte / Cabeza corta / КОРОТКАЯ ОГНЕВАЯ ГОЛОВКА / TL = Testa lunga / Long Head / Tete longue / Cabeza larga / ДЛИННАЯ ОГНЕВАЯ ГОЛОВКА / LANGER BRENNERKOPF

Overview - Spare parts list / Panoramica - Parti di ricambio / Vue d'ensemble - Pièces de rechange / Descripción - Piezas de recambio /
Обзор - Запчасти

N°	DESCRIPTION	DESCRIZIONE	DESCRIPCION	НАИМЕНОВАНИЕ		Multiflam 200.1
41	INNER ASSEMBLY	GRUPPO TESTA DI COMBUSTIONE	GRUPO CABEZA DE COMBUSTION	ОГНЕВАЯ ГОЛОВКА В СБОРЕ	TC	65326052
42	BLAST TUBE	BOCCAGLIO	TUBO LLAMA	СТАКАН	TL	65326053
43	ADAPTER	ADATTATORE	ADACTADOR	АДАПТОР	TL	65320454
44	RESET KEY	PULSANTE RESET	BOTON DE REINICIO	КЛЮЧ ВОЗВРАТА	SIEMENS AGQ3.1A27 COMERI art.ECX1	65113521
45	ANTI-JAMMING FILTER	FILTRO ANTIDISTURBO	FILTRO ANTITRASORTNO	ФИЛЬТР ПОДАВЛЕНИЯ ПОМЕХ		65324101
46	AIR DAMPER MOTOR	MOTORIDUTTORE	MOTORREDUCTOR	ПРИБОД ВОЗДУШНОМ ЗАСЛОНКИ	siemens SQN80.151A2700	65323170
47	WIELAND PLUG	SPINA WIELAND	ESPIA WIELAND	ВИЛКА WIELAND	6 pin	65322072
48	WIELAND SOCKET	PRESA WIELAND	TOMA WIELAND	РАЗЪЕМ WIELAND	6 pin	65322073
49	OIL PUMP	POMPA	BOMBA	ТОПЛИВНЫЙ НАСОС	SUNTEC E 6NC 1069	65322955
50	COUPLING	GIUNTO	ACOPLAMIENTO	МУФТА		65325387
51	HOSES	FLESSIBILI	LATIGUILLOS	ГИБКИЕ ШЛАНГИ	TN 25X1500	65323180
52	OIL FILTER	FILTRO	FILTRO	ТОПЛИВНЫЙ ФИЛЬТР	TN 25X1500 C/T 70501/03	65323181
53	PUMP MOTOR	MOTORE POMPA	MOTOR BOMBA	ДВИГАТЕЛЬ НАСОСА	550 W	65322836
54	MANOMETER	MANOMETRO	MANOMETRO	МАНОМЕТР		65324105
55	OIL VALVE	VALVOLA	VALVOLA	ТОПЛИВНЫЙ КЛАПАН	PARKER SCEM 120.8AR JB 18	65323628
56	COIL	BOBINA	BOBINA	КАТУШКА	parker	65323781
57	THERMOSTAT	TERMOSTATO	TERMOSTATO	ТЕРМОСТАТ	IMIT TR2 40/200	65323147
58	FILTER	FILTRO	FILTRO	ФИЛЬТР		65321171
59	HEATER	RESISTENZE	RESISTENCIAS	ЗМЕЕВИК НАГРЕВАТЕЛЬНЫЙ	10500 W	65323087
60	OIL TANK	BARILOTTO	PRECALENTADOR	ТОПЛИВНЫЙ БАЧОК		65324649
61	HEATING ELEMENT PUMP	RESISTENZA POMPA	RESISTENCIAS BOMBA	НАГРЕВАТЕЛЬНЫЙ ЭЛЕМЕНТ НАСОСА	50 W	65323072
62	PILOT GAS VALVE	VALVOLA GAS PILOTA	VALVOLA GAS	ГАЗОВЫЙ КЛАПАН ЗАПЯЛЬНИКА	БРАНМА EG12SRGFD	65324108
63	COIL	BOBINA	BOBINA	КАТУШКА	БРАНМА EG12SRGFD	65323707
64	GAS GOVERNOR	REGOLATORE DI PRESSIONE	REGULADOR DE PRESSION	СТАБИЛИЗАТОР ДАВЛЕНИЯ/ФИЛЬТР	REG. PRESS. 1/2 FGT B 15	65325208
65	GAS PIPE	TUBO GAS	TUBO GAS	ТРУБА ГАЗА	EMISUPER	65324650
66	GAS PIPE	TUBO GAS	TUBO GAS	ТРУБА ГАЗА	EMICASA	65323201
67	GASKET	GUARNIZIONE	JUNTA ISOMART	ФЛАНЕЦ		65321127
68	CABLE	CABLE	CABLE	КАБЕЛЬ		
69	OIL TANK GASKET	GUARNIZIONE BARILOTTO	JUNTA DE TANQUE	ПРОКЛАДКА БАЧОК - ПОДОГРЕВАТЕЛЬ		65321155
70	HEATING ELEMENT	RESISTENZE	RESISTENCIAS	НАГРЕВАТЕЛЬНЫЙ ЭЛЕМЕНТ	30 W	65324207
71	VALVE ASSEMBLY	ASSIEME VALVOLA	GRUPO VALVE	КЛАПАН В СБОРЕ		65325510

Contents - Conformity declaration / Contenuti generali - Dichiarazione di conformità / Contenus généraux - Déclaration de conformite / Contenidos generales - Declaración de conformidad / Содержание - Сертификат соответствия

Declaration of conformity for dual fuel burners

We,
Ecoflam Bruciatori S.p.A.

declare under our sole responsibility that the products:

MULTIFLAM 200.1 AB

conform to the following standards:

EN 676: 2008
EN 267: 2010
EN 60335-1: 2008
EN 60335-2-30: 2006
EN 60335-2-102: 2007
EN 55014-1: 2008 + A1: 2009
EN 55014-2: 1998 + A1: 2001 + A2: 2008

These products bear the CE mark in accordance with the stipulations of the following directives:
2009/142/EEC Gas Appliance Directive
2006/95/EEC Low Voltage Directive
2004/108/EEC EMC Directive
2006/42/EC Machinery directive

Resana, 20th December 2010
M. PANIZZON

Dichiarazione di conformità per bruciatori misti

Noi,
Ecoflam Bruciatori S.p.A.

dichiariamo sotto la nostra responsabilità, che i prodotti:

MULTIFLAM 200.1 AB

sono conformi alle norme elencate :

EN 676: 2008
EN 267: 2010
EN 60335-1: 2008
EN 60335-2-30: 2006
EN 60335-2-102: 2007
EN 55014-1: 2008 + A1: 2009
EN 55014-2: 1998 + A1: 2001 + A2: 2008

Questi prodotti vengono contrassegnati con il marchio CE nel rispetto delle direttive:
2009/142/EEC Gas Appliance Directive
2006/95/EEC Low Voltage Directive
2004/108/EEC EMC Directive
2006/42/EC Machinery directive

Resana, 20th December 2010
M. PANIZZON

Déclaration de conformité pour brûleurs de mixte

Nous ,
Ecoflam Bruciatori S.p.A.

déclarons sous notre responsabilité, que les produire:

MULTIFLAM 200.1 AB

sont en conformité avec les normes suivantes:

EN 676: 2008
EN 267: 2010
EN 60335-1: 2008
EN 60335-2-30: 2006
EN 60335-2-102: 2007
EN 55014-1: 2008 + A1: 2009
EN 55014-2: 1998 + A1: 2001 + A2: 2008

Ces produits sont marqués avec la marque CE dans le respect des directives:
2009/142/EEC Gas Appliance Directive
2006/95/EEC Low Voltage Directive
2004/108/EEC EMC Directive
2006/42/EC Machinery directive

Resana, 20th December 2010
M. PANIZZON

Declaración de conformidad para quemadores mixtos

Nosotros,
Ecoflam Bruciatori S.p.A.

declaramos bajo nuestra responsabilidad que los producir :

MULTIFLAM 200.1 AB

cumplen las normas siguientes :

EN 676: 2008
EN 267: 2010
EN 60335-1: 2008
EN 60335-2-30: 2006
EN 60335-2-102: 2007
EN 55014-1: 2008 + A1: 2009
EN 55014-2: 1998 + A1: 2001 + A2: 2008

Estos productos están marcados con la marca CE de conformidad con la directivas:
2009/142/EEC Gas Appliance Directive
2006/95/EEC Low Voltage Directive
2004/108/EEC EMC Directive
2006/42/EC Machinery directive

Resana, 20th December 2010
M. PANIZZON

Декларация о соответствии для газ/дизтопливо горелок

Мы, компания
Ecoflam Bruciatori S.p.A.

заявляем под свою ответственность, что газовые горелки

MULTIFLAM 200.1 AB

соответствуют требованиям

следующих стандартов :
EN 676: 2008
EN 267: 2010
EN 60335-1: 2008
EN 60335-2-30: 2006
EN 60335-2-102: 2007
EN 55014-1: 2008 + A1: 2009
EN 55014-2: 1998 + A1: 2001 + A2: 2008

Эти изделия маркируются знаком CE в соответствии с директивами:
2009/142/EEC Gas Appliance Directive
2006/95/EEC Low Voltage Directive
2004/108/EEC EMC Directive
2006/42/EC Machinery directive

Resana, 20th December 2010
M. PANIZZON

Ecoflam

Ecoflam Bruciatori S.p.A.

Via Roma, 64 - 31023 Resana (TV) - Italy

Tel. +39 0423 719500

Fax +39 0423 719580

<http://www.ecoflam-burners.com>

e-mail: export@ecoflam-burners.com

Società soggetta alla direzione e al coordinamento di Ariston Thermo S.p.A.

Via A. Merloni, 45 - 60044 Fabriano (AN) - CF 01026940427

Ecoflam Bruciatori S.p.A. reserves the right to make any adjustments, without prior notice, which is considered necessary or useful to its products, without affecting their main features

Ecoflam Bruciatori S.p.A. si riserva il diritto di apportare ai prodotti le modifiche che riterrà necessarie o utili, senza pregiudicarne le caratteristiche principali.

La maison Ecoflam Bruciatori S.p.A. se réserve le droit d'apporter les modifications qu'elle jugera nécessaires ou utiles à ses produits sans pour autant nuire à leurs caractéristiques principales

Ecoflam Bruciatori S.p.A. se reserva el derecho a introducir en sus productos todas las modificaciones que considere necesarias o utiles, sin perjudicar sus características

"Ecoflam Bruciatori S.p.A." оставляет за собой право вносить в конструкцию оборудования любые необходимые изменения без особого предупреждения.

Ecoflam Bruciatori S.p.A. behält sich das Recht vor, ohne Beeinträchtigung der wesentlichen Eigenschaften für notwendig oder sinnvoll ersichtete Änderungen an den Produkten vorzunehmen.